



**MARTIN POWER**  
**ATS**  
**MP AUTOMATIC**



**Basic informations and accesories**

ATS - Automatic transfer switch

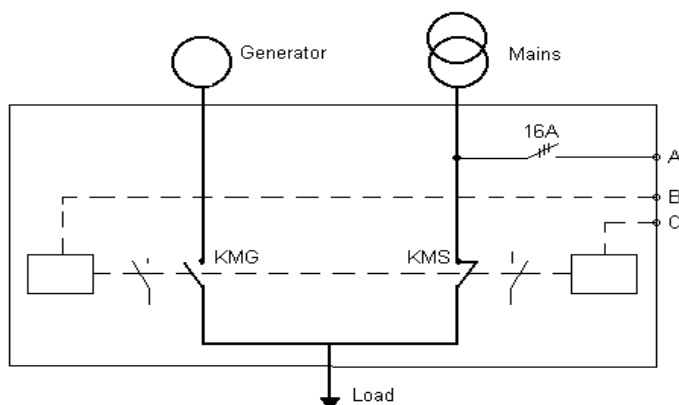
Nominal current In [A]	25-5000
Contactors in control panel	MP-ATS
Voltage system - standard	TN - S
Placed	Acording request
Switching elements up to 250A	Contactors
switching elements over 300A	Motorized switches

**Main tasks**

Transfer load from mains to genset and back  
Possible manual control of contactors

**Legend:**

A – Secured 3-F output for MP AUTOMATIC control panel  
B – Generator contactor control KMG  
C – Mains contactor control KMS



**Advanced informations**

Mechanical protection	IP 40/20
Input from mains	On terminals
Input from genset	On terminals
Standby output	On busbars
Secured mains output for own needs of genset.	YES

**Available execution**

Monitoring of mains with evaluation of el. parameters  
Backing up of more than one mains

**Available options**

Increasing of mechanical protection  
Forced ventilation  
Anticondesation heater  
Tunel terminals

- Other spacial functions and accessories are available acording request of customer
- All pictures are for informational purposes only
- We reserve the right to change the specification without notice

