



www.tts-martin.sk

MARTIN POWER MP 100 I



Output ratings

Prime power - PRP	100 kVA / 80 kW
Standby power - ESP	110 kVA / 88 kW
Current	144 A
Voltage	400 V / 230 V
Frequency	50 Hz
Voltage system	TN-S

Prime power - PRP

These ratings are applicable for supplying continuous electrical power. There is no limitation to the hours of operation and this model can supply 10% overload power for 1 hour in 6 hours.

Standby power - ESP

These ratings are applicable for supplying continuous electrical power (at variable load) in the event of a utility power failure. No overload is permitted on these ratings. Maximum 500 operating hours per year are allowed with maximum continuous work for 300 hours.

Basic information

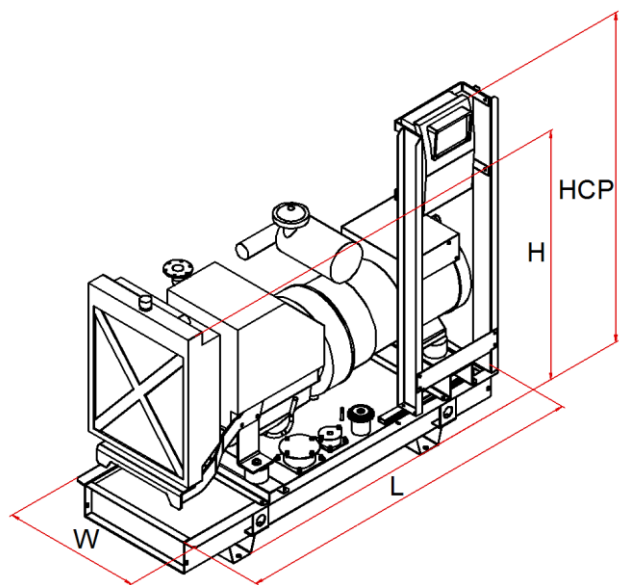
Engine brand	FPT - IVECO
Engine model	N45 TM2A
Emission limit	stage II
Speed	1500 min-1
Control panel current	160 A (160 A)
AMF5, M1, P1 (AMF1)	
Standard fuel tank capacity	200 l

Dimensions and weights

Length (L)	2265 mm
Width (W)	1112 mm
Height (H)	1530 mm
Height with CP* (HCP)	1578 mm
Weight without CP*	1129 kg
* Control panel	

Available alternators

Mecc Alte	ECP34-2S/4
Sincro	SK 225 ML
Marelli	MJB 225 MA 4
WEG	GTA 202 AIVJ



- TBD - To be defined later
- All pictures are for informational purposes only
- We reserve the right to change the specification without notice



Genset details

Consumption @ 100% PRP	22 l
Consumption @ 75 % of PRP	16 l
Consumption @ 50 % of PRP	11 l
Consumption @ 25 % of PRP	7 l
Battery voltage	12 V
Battery	88 Ah

Standard scope of supply

Engine
4-stroke diesel engine
Engine harness
Radiator with fan
Air filter
Intercooler
Turbocharger (for turbocharged)
Charging alternator
Oil cooler
Oil filter
Fuel filter
Fuel supply pump
Oil draining valve
Starter
Alternator
Self regulation system
Self excitation system
Synchronous
Single bearing
Protection IP 21
Automatic voltage regulator
Brushless
Flexible connection disk + housing
Base frame
Steel base frame
Flexible antivibration mounting
Integrated fuel tank
Fuel level sensor
Fuel filling cap with ventilation
Starting accumulator
Counter flange,sealing,set of connection material
Initial filling of oil and coolant
Standard factory load test
Operation and maintenance manual

Engine details

Prime power - PRP	87 kW
Standby power - ESP	96 kW
Intake	turbocharged with intercooler
Speed governor	mechanical
Cylinders	4L
Displacement	4,5 dm ³
Air requirement for intake	10,3 m ³ /min
Air requirement for cooling	90 m ³ /min
Max. back-pressure at intake	5 kPa
Thermal power - cooling	55 kW
Thermal power - radiated	18 kW
Exhaust gas flow	24 m ³ /min
Max. back-pressure at exhaust	5 kPa
Max. exhaust temperature	535 °C
Performance class	G 2
Specific fuel consumption	208 g/kWh
Engine oil volume	13 l
Coolant volume	19 l

Available optionals

Control panel	MP Manual
	MP Automatic
	MP Parallel
	MP ATS
Canopy 95LWA type [LWA / dB(A)]	93 / 68 @ 7 m
Canopy 90LWA type [LWA / dB(A)]	90 / 65 @ 7 m
Container	10'
Industrial exhaust silencer -20 dB	DN 70
Residential exhaust silencer -30 dB	DN 70

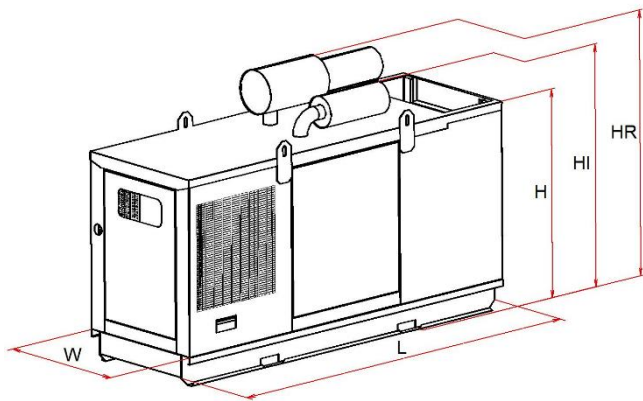
Basic options

Retention bath	
Increased fuel tank	500 l
Increased IP Protection	
Front air output for canopy	
Electronic speed governor	
Homologized chassis for road transport	
Separate storage tank	
Automatic fuel filling device (AFD)	

Many more other options available

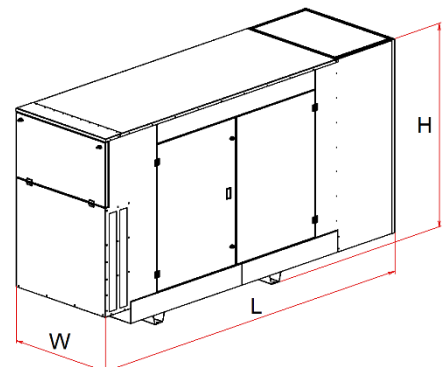
Canopy - type 95 LWA

Side and back doors with lockers	
Side and/or back air inlet with jalousies	
Top air outlet	
Position of exhaust silencer	in the canopy
Canopy colour: top RAL 3000 / bottom RAL 9005	
Length (L)	2700 mm
Width (W)	1112 mm
Height (H)	1890 mm
Height with industr. silencer (HI)	-
Height with resid. silencer (HR)	-
Weight without control panel and exhaust silencer	1579 kg



Canopy - type 90 LWA

Side and back doors with lockers	
Side and/or back air inlet with jalousies	
Top / side air outlet	
Canopy colour: top RAL 3000 / bottom RAL 9005	
Retention bath	
Exhaust silencer inside of canopy	
Length (L)	3115 mm
Width (W)	1000 mm
Height (H)	1770 mm
Weight without control panel and exhaust silencer	1661 kg



- TBD - To be defined later
- All pictures are for informational purposes only
- We reserve the right to change the specification without notice