



www.tts-martin.sk

MARTIN POWER MP 130 I



Output ratings

Prime power - PRP	135 kVA / 108 kW
Standby power - ESP	150 kVA / 120 kW
Current	195 A
Voltage	400 V / 230 V
Frequency	50 Hz
Voltage system	TN-C

Prime power - PRP

These ratings are applicable for supplying continuous electrical power. There is no limitation to the hours of operation and this model can supply 10% overload power for 1 hour in 6 hours.

Standby power - ESP

These ratings are applicable for supplying continuous electrical power (at variable load) in the event of a utility power failure. No overload is permitted on these ratings. Maximum 500 operating hours per year are allowed with maximum continuous work for 300 hours.

Basic information

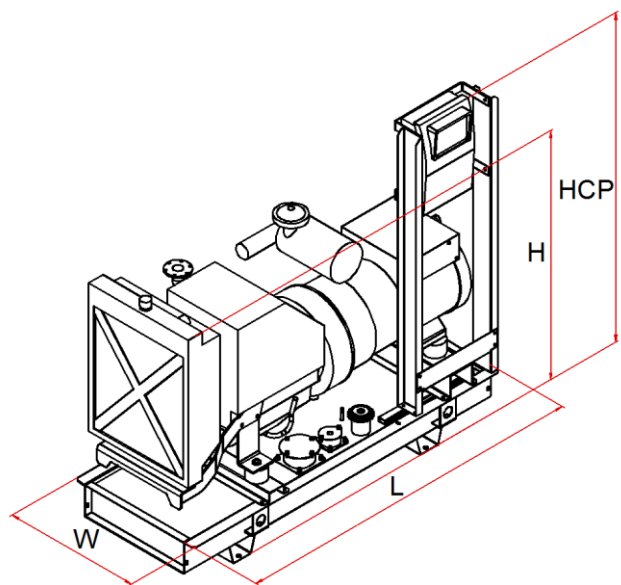
Engine brand	FPT - IVECO
Engine model	N67 TM4
Emission limit	-
Speed	1500 min-1
Control panel current	200 A (- A)
AMF5, M1, P1 (AMF1)	
Standard fuel tank capacity	300 l

Dimensions and weights

Length (L)	2675 mm
Width (W)	1112 mm
Height (H)	1650 mm
Height with CP* (HCP)	1693 mm
Weight without CP*	1332 kg
* Control panel	

Available alternators

Mecc Alte	ECP34-1L/4
Sincro	SK 225 LM
Marelli	MJB 225 LA 4
WEG	GTA 251 AIHD



- TBD - To be defined later
- All pictures are for informational purposes only
- We reserve the right to change the specification without notice



Genset details

Consumption @ 100% PRP	29 l
Consumption @ 75 % of PRP	21 l
Consumption @ 50 % of PRP	15 l
Consumption @ 25 % of PRP	9 l
Battery voltage	12 V
Battery	110 Ah

Standard scope of supply

Engine	
4-stroke diesel engine	
Engine harness	
Radiator with fan	
Air filter	
Intercooler	
Turbocharger (for turbocharged)	
Charging alternator	
Oil cooler	
Oil filter	
Fuel filter	
Fuel supply pump	
Oil draining valve	
Starter	
Alternator	
Self regulation system	
Self excitation system	
Synchronous	
Single bearing	
Protection IP 21	
Automatic voltage regulator	
Brushless	
Flexible connection disk + housing	
Base frame	
Steel base frame	
Flexible antivibration mounting	
Integrated fuel tank	
Fuel level sensor	
Fuel filling cap with ventilation	
Starting accumulator	
Counter flange,sealing,set of connection material	
Initial filling of oil and coolant	
Standard factory load test	
Operation and maintenance manual	

Engine details

Prime power - PRP	150 kW
Standby power - ESP	165 kW
Intake	turbocharged with intercooler
Speed governor	mechanical
Cylinders	6L
Displacement	6,7 dm ³
Air requirement for intake	9,5 m ³ /min
Air requirement for cooling	150 m ³ /min
Max. back-pressure at intake	5 kPa
Thermal power - cooling	74 kW
Thermal power - radiated	21 kW
Exhaust gas flow	26 m ³ /min
Max. back-pressure at exhaust	5 kPa
Max. exhaust temperature	497 °C
Performance class	G 2
Specific fuel consumption	198 g/kWh
Engine oil volume	17 l
Coolant volume	26 l

Available optionals

Control panel	MP Manual
	MP Automatic
	MP Parallel
	MP ATS
Canopy 95LWA type [LWA / dB(A)]	95 / 70 @ 7 m
Canopy 90LWA type [LWA / dB(A)]	90 / 65 @ 7 m
Container	20'
Industrial exhaust silencer -20 dB	DN 100
Residential exhaust silencer -30 dB	DN 100

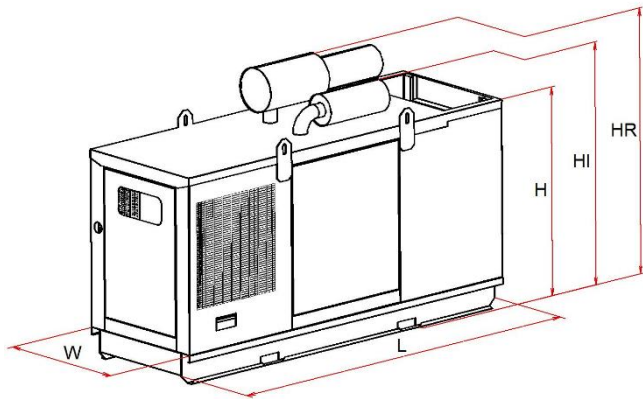
Basic options

Retention bath	
Increased fuel tank	900 l
Increased IP Protection	
Front air output for canopy	
Electronic speed governor	
Homologized chassis for road transport	
Separate storage tank	
Automatic fuel filling device (AFD)	

Many more other options available

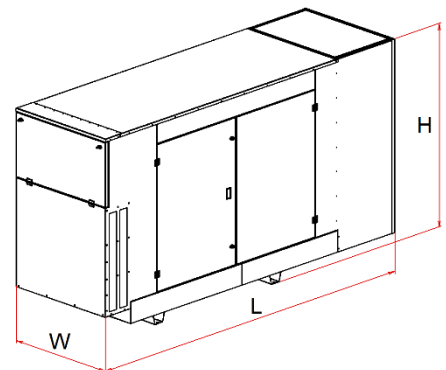
Canopy - type 95 LWA

Side and back doors with lockers	
Side and/or back air inlet with jalousies	
Top air outlet	
Position of exhaust silencer	in the canopy
Canopy colour: top RAL 3000 / bottom RAL 9005	
Length (L)	3200 mm
Width (W)	1112 mm
Height (H)	2035 mm
Height with industr. silencer (HI)	-
Height with resid. silencer (HR)	-
Weight without control panel and exhaust silencer	1857 kg



Canopy - type 90 LWA

Side and back doors with lockers	
Side and/or back air inlet with jalousies	
Top / side air outlet	
Canopy colour: top RAL 3000 / bottom RAL 9005	
Retention bath	
Exhaust silencer inside of canopy	
Length (L)	3650 mm
Width (W)	1100 mm
Height (H)	1900 mm
Weight without control panel and exhaust silencer	1921 kg



- TBD - To be defined later
- All pictures are for informational purposes only
- We reserve the right to change the specification without notice