



www.tts-martin.sk

MARTIN POWER MP 175 I-3



Output ratings

Prime power - PRP	175 kVA / 140 kW
Standby power - ESP	190 kVA / 152 kW
Current	253 A
Voltage	400 V / 230 V
Frequency	50 Hz
Voltage system	TN-C

Prime power - PRP

These ratings are applicable for supplying continuous electrical power. There is no limitation to the hours of operation and this model can supply 10% overload power for 1 hour in 6 hours.

Standby power - ESP

These ratings are applicable for supplying continuous electrical power (at variable load) in the event of a utility power failure. No overload is permitted on these ratings. Maximum 500 operating hours per year are allowed with maximum continuous work for 300 hours.

Basic information

Engine brand	FPT - IVECO
Engine model	N67 TE2F
Emission limit	stage III A
Speed	1500 min-1
Control panel current AMF5, M1, P1 (AMF1)	250 A (- A)
Standard fuel tank capacity	300 l

Dimensions and weights

Length (L)	2675 mm
Width (W)	1112 mm
Height (H)	1650 mm
Height with CP* (HCP)	1705 mm
Weight without CP*	1392 kg

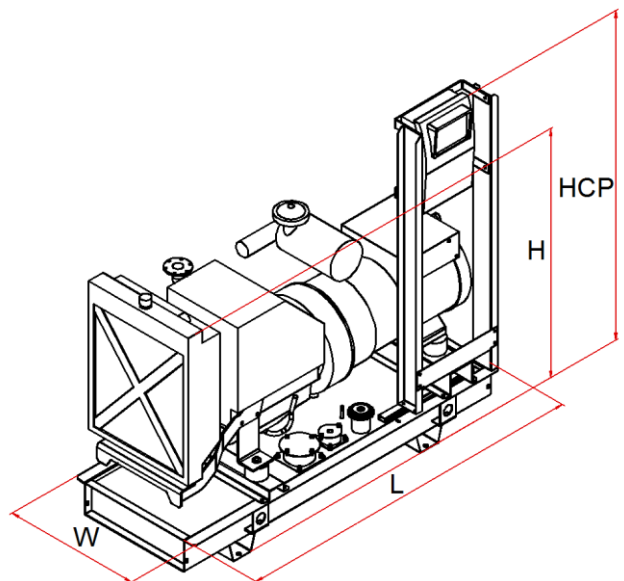
* Control panel

Available alternators

Mecc Alte	ECO38-1S/4
Sincro	SK 250 MS
Marelli	MJB 250 MB 4
WEG	GTA 251 AIHE



- TBD - To be defined later
- All pictures are for informational purposes only
- We reserve the right to change the specification without notice



Genset details

Consumption @ 100% PRP	40 l
Consumption @ 75 % of PRP	31 l
Consumption @ 50 % of PRP	23 l
Consumption @ 25 % of PRP	13 l
Battery voltage	12 V
Battery	110 Ah

Standard scope of supply

Engine	4-stroke diesel engine
	Engine harness
	Radiator with fan
	Air filter
	Intercooler
	Turbocharger (for turbocharged)
	Charging alternator
	Oil cooler
	Oil filter
	Fuel filter
	Fuel supply pump
	Oil draining valve
	Starter
Alternator	Self regulation system
	Self excitation system
	Synchronous
	Single bearing
	Protection IP 21
	Automatic voltage regulator
	Brushless
	Flexible connection disk + housing
Base frame	Steel base frame
	Flexible antivibration mounting
	Integrated fuel tank
	Fuel level sensor
	Fuel filling cap with ventilation
Starting accumulator	
Counter flange,sealing,set of connection material	
Initial filling of oil and coolant	
Standard factory load test	
Operation and maintenance manual	

Engine details

Prime power - PRP	150 kW
Standby power - ESP	165 kW
Intake	turbocharged with intercooler
Speed governor	electronic
Cylinders	6L
Displacement	6,7 dm ³
Air requirement for intake	10,8 m ³ /min
Air requirement for cooling	180 m ³ /min
Max. back-pressure at intake	5 kPa
Thermal power - cooling	108 kW
Thermal power - radiated	34 kW
Exhaust gas flow	34 m ³ /min
Max. back-pressure at exhaust	6 kPa
Max. exhaust temperature	610 °C
Performance class	G 3
Specific fuel consumption	215 g/kWh
Engine oil volume	17 l
Coolant volume	26 l

Available optionals

Control panel	MP Manual
	MP Automatic
	MP Parallel
	MP ATS
Canopy 95LWA type [LWA / dB(A)]	95 / 70 @ 7 m
Canopy 90LWA type [LWA / dB(A)]	90 / 65 @ 7 m
Container	20'
Industrial exhaust silencer -20 dB	DN 100
Residential exhaust silencer -30 dB	DN 100

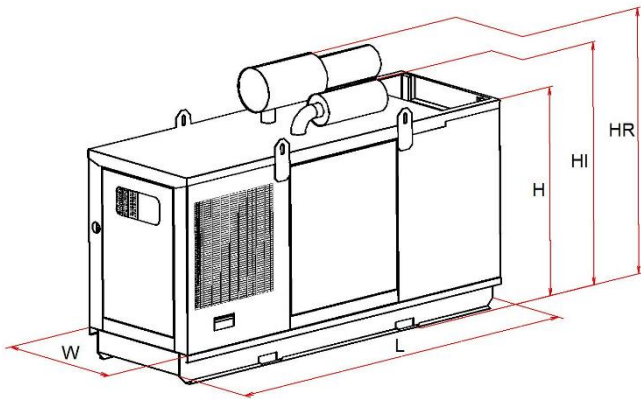
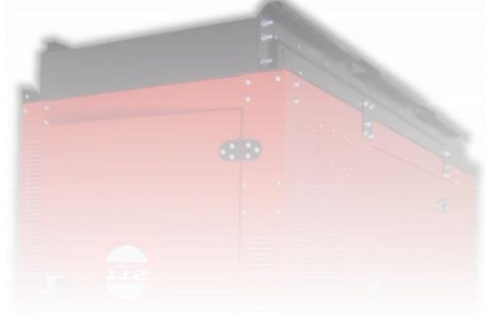
Basic options

Retention bath	
Increased fuel tank	900 l
Increased IP Protection	
Front air output for canopy	
Electronic speed governor	
Homologized chassis for road transport	
Separate storage tank	
Automatic fuel filling device (AFD)	

Many more other options available

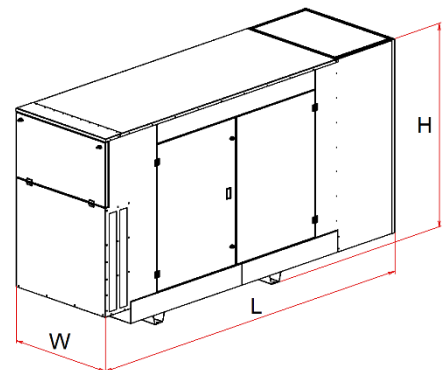
Canopy - type 95 LWA

Side and back doors with lockers	
Side and/or back air inlet with jalousies	
Top air outlet	
Position of exhaust silencer	in the canopy
Canopy colour: top RAL 3000 / bottom RAL 9005	
Length (L)	3200 mm
Width (W)	1112 mm
Height (H)	2035 mm
Height with industr. silencer (HI)	-
Height with resid. silencer (HR)	-
Weight without control panel and exhaust silencer	2010 kg



Canopy - type 90 LWA

Side and back doors with lockers	
Side and/or back air inlet with jalousies	
Top / side air outlet	
Canopy colour: top RAL 3000 / bottom RAL 9005	
Retention bath	
Exhaust silencer inside of canopy	
Length (L)	3650 mm
Width (W)	1100 mm
Height (H)	1900 mm
Weight without control panel and exhaust silencer	2071 kg



- TBD - To be defined later
- All pictures are for informational purposes only
- We reserve the right to change the specification without notice