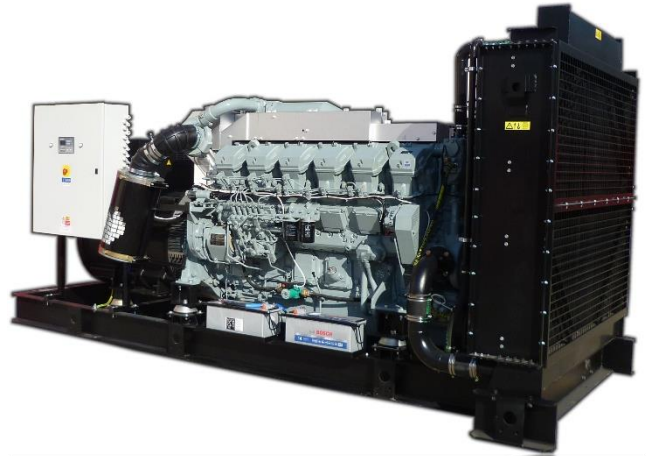




www.tts-martin.sk

# MARTIN POWER MP 2100 M



### Output ratings

Prime power - PRP	2100 kVA / 1680 kW
Standby power - ESP	2300 kVA / 1840 kW
Current	3030 A
Voltage	400 V / 230 V
Frequency	50 Hz
Voltage system	TN-C

#### Prime power - PRP

These ratings are applicable for supplying continuous electrical power. There is no limitation to the hours of operation and this model can supply 10% overload power for 1 hour in 6 hours.

#### Standby power - ESP

These ratings are applicable for supplying continuous electrical power (at variable load) in the event of a utility power failure. No overload is permitted on these ratings. Maximum 500 operating hours per year are allowed with maximum continuous work for 300 hours.

### Basic information

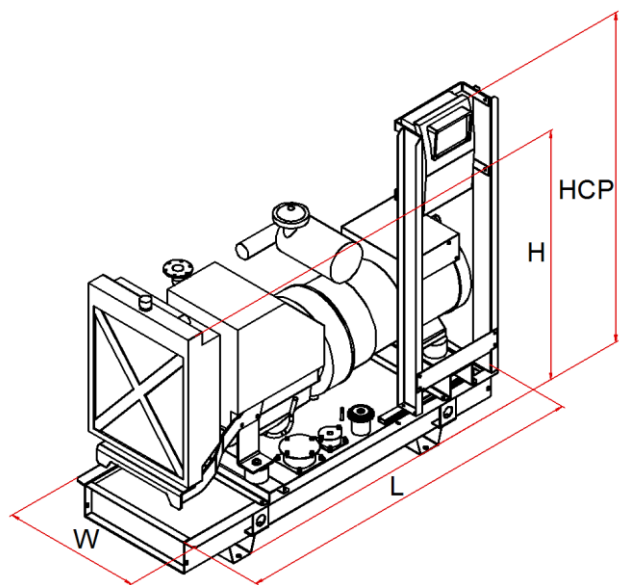
Engine brand	MITSUBISHI
Engine model	S16R-F1PTAW2
Emission limit	TA-Luft
Speed	1500 min-1
Control panel current AMF5, M1, P1 (AMF1)	3200 A ( - A)
Standard fuel tank capacity	1200 l

### Dimensions and weights

Length (L)	5800 mm
Width (W)	2400 mm
Height (H)	3500 mm
Height with CP* (HCP)	
Weight without CP*	13330 kg
* Control panel	

### Available alternators

Mecc Alte	ECO46-1L/4
Sincro	SK 500 MC
Marelli	MJB 500 MB 4
WEG	-



- TBD - To be defined later
- All pictures are for informational purposes only
- We reserve the right to change the specification without notice



### Genset details

Consumption @ 100% PRP	435 l
Consumption @ 75 % of PRP	328 l
Consumption @ 50 % of PRP	220 l
Consumption @ 25 % of PRP	110 l
Battery voltage	24 V
Battery	4 x 170 Ah

### Standard scope of supply

Engine	4-stroke diesel engine
	Engine harness
	Radiator with fan
	Air filter
	Intercooler
	Turbocharger (for turbocharged)
	Charging alternator
	Oil cooler
	Oil filter
	Fuel filter
	Fuel supply pump
	Oil draining valve
	Starter
Alternator	Self regulation system
	Self excitation system
	Synchronous
	Single bearing
	Protection IP 21
	Automatic voltage regulator
	Brushless
	Flexible connection disk + housing
Base frame	Steel base frame
	Flexible antivibration mounting
	Integrated fuel tank
	Fuel level sensor
	Fuel filling cap with ventilation
Starting accumulator	
Counter flange, sealing, set of connection material	
Initial filling of oil and coolant	
Standard factory load test	
Operation and maintenance manual	

### Engine details

Prime power - PRP	1747 kW
Standby power - ESP	1917 kW
Intake	turbocharged with intercooler
Speed governor	electronic
Cylinders	16V
Displacement	65,37 dm <sup>3</sup>
Air requirement for intake	141 m <sup>3</sup> /min
Air requirement for cooling	2500 m <sup>3</sup> /min
Max. back-pressure at intake	4 kPa
Thermal power - cooling	1122 kW
Thermal power - radiated	207 kW
Exhaust gas flow	424 m <sup>3</sup> /min
Max. back-pressure at exhaust	6 kPa
Max. exhaust temperature	524°C
Performance class	G 3
Specific fuel consumption	203 g/kWh
Engine oil volume	230 l
Coolant volume	413 l

### Available optionals

Control panel	MP Manual MP Automatic MP Parallel MP ATS
Canopy 95LWA type [LWA / dB(A)]	100 / 75 @ 7 m
Canopy 90LWA type [LWA / dB(A)]	-
Container	40'
Industrial exhaust silencer -20 dB	DN 350
Residential exhaust silencer -30 dB	DN 350

### Basic options

Retention bath	
Increased fuel tank	3000 l
Increased IP Protection	
Front air output for canopy	
Electronic speed governor	
Homologized chassis for road transport	
Separate storage tank	
Automatic fuel filling device (AFD)	

Many more other options available

**Canopy - type 95 LWA**

Side and back doors with lockers

Side and/or back air inlet with jalousies

Top air outlet

Position of exhaust silencer EN

Canopy colour: top RAL 3000 / bottom RAL 9005

Length (L) 8804 mm

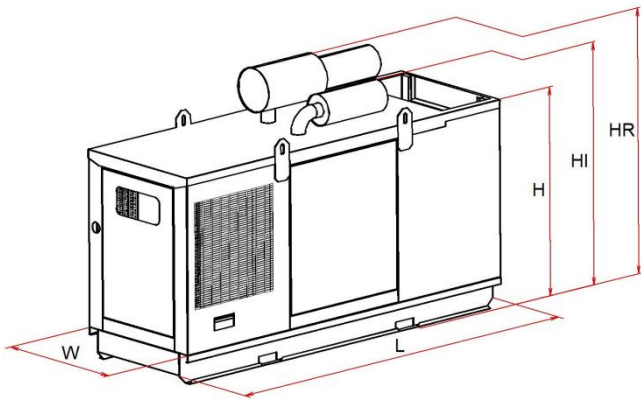
Width (W) 3064 mm

Height (H) 3705 mm

Height with industr. silencer (HI) 4505 mm

Height with resid. silencer (HR) 4755 mm

Weight without control panel and exhaust silencer 15 312 kg



**Canopy - type 90 LWA**

Side and back doors with lockers

Side and/or back air inlet with jalousies

Top / side air outlet

Canopy colour: top RAL 3000 / bottom RAL 9005

Retention bath

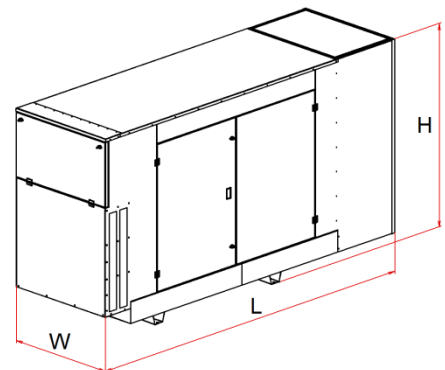
Exhaust silencer inside of canopy

Length (L) -

Width (W) -

Height (H) -

Weight without control panel and exhaust silencer -



- TBD - To be defined later

- All pictures are for informational purposes only

- We reserve the right to change the specification without notice

TTS Martin, s.r.o.

038 42 Pribovce 343, Slovakia

Tel.: +421 / 43 / 429 44 66

