



www.tts-martin.sk

MARTIN POWER MP 275 I



Output ratings

Prime power - PRP	270 kVA / 216 kW
Standby power - ESP	297 kVA / 238 kW
Current	390 A
Voltage	400 V / 230 V
Frequency	50 Hz
Voltage system	TN-C

Prime power - PRP

These ratings are applicable for supplying continuous electrical power. There is no limitation to the hours of operation and this model can supply 10% overload power for 1 hour in 6 hours.

Standby power - ESP

These ratings are applicable for supplying continuous electrical power (at variable load) in the event of a utility power failure. No overload is permitted on these ratings. Maximum 500 operating hours per year are allowed with maximum continuous work for 300 hours.

Basic information

Engine brand	FPT - IVECO
Engine model	C87 TE1D
Emission limit	stage II
Speed	1500 min-1
Control panel current AMF5, M1, P1 (AMF1)	400 A (- A)
Standard fuel tank capacity	500 l

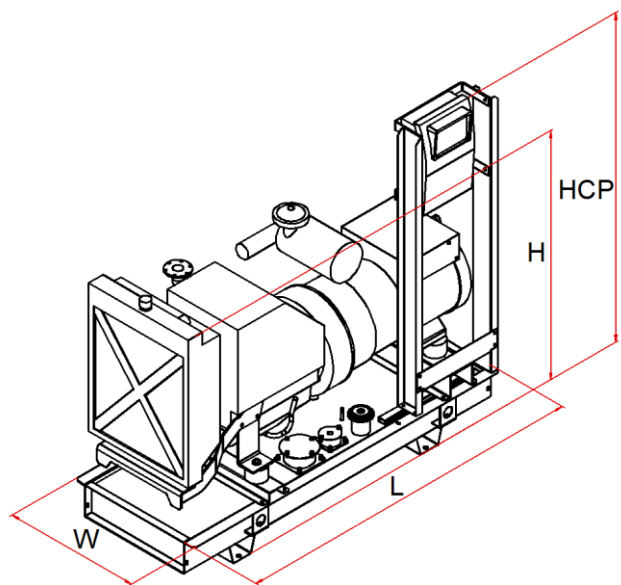
Available alternators

Mecc Alte	ECO38-2L/4
Sincro	SK 250 LM
Marelli	MJB 315 SA 4
WEG	AG10 250 MI00AI

Dimensions and weights

Length (L)	3080 mm
Width (W)	1315 mm
Height (H)	1740 mm
Height with CP* (HCP)	1740 mm
Weight without CP*	2438 kg

* Control panel



- TBD - To be defined later
- All pictures are for informational purposes only
- We reserve the right to change the specification without notice



Genset details

Consumption @ 100% PRP	58 l
Consumption @ 75 % of PRP	44 l
Consumption @ 50 % of PRP	33 l
Consumption @ 25 % of PRP	19 l
Battery voltage	24 V
Battery	2 x 140 Ah

Standard scope of supply

Engine
4-stroke diesel engine
Engine harness
Radiator with fan
Air filter
Intercooler
Turbocharger (for turbocharged)
Charging alternator
Oil cooler
Oil filter
Fuel filter
Fuel supply pump
Oil draining valve
Starter
Alternator
Self regulation system
Self excitation system
Synchronous
Single bearing
Protection IP 21
Automatic voltage regulator
Brushless
Flexible connection disk + housing
Base frame
Steel base frame
Flexible antivibration mounting
Integrated fuel tank
Fuel level sensor
Fuel filling cap with ventilation
Starting accumulator
Counter flange,sealing,set of connection material
Initial filling of oil and coolant
Standard factory load test
Operation and maintenance manual

Engine details

Prime power - PRP	232 kW
Standby power - ESP	256 kW
Intake	turbocharged with intercooler
Speed governor	electronic
Cylinders	6L
Displacement	8,7 dm ³
Air requirement for intake	20,0 m ³ /min
Air requirement for cooling	280 m ³ /min
Max. back-pressure at intake	5 kPa
Thermal power - cooling	140 kW
Thermal power - radiated	42 kW
Exhaust gas flow	40 m ³ /min
Max. back-pressure at exhaust	5 kPa
Max. exhaust temperature	488 °C
Performance class	G 3
Specific fuel consumption	205 g/kWh
Engine oil volume	28 l
Coolant volume	63 l

Available optionals

Control panel	MP Manual
	MP Automatic
	MP Parallel
	MP ATS
Canopy 95LWA type [LWA / dB(A)]	96 / 71 @ 7 m
Canopy 90LWA type [LWA / dB(A)]	91 / 66 @ 7 m
Container	20'
Industrial exhaust silencer -20 dB	DN 125
Residential exhaust silencer -30 dB	DN 125

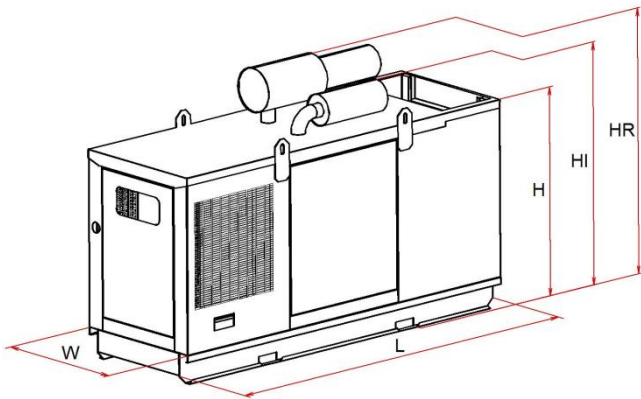
Basic options

Retention bath	
Increased fuel tank	1500 l
Increased IP Protection	
Front air output for canopy	
Electronic speed governor	
Homologized chassis for road transport	
Separate storage tank	
Automatic fuel filling device (AFD)	

Many more other options available

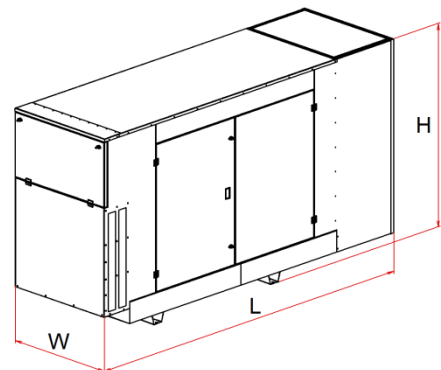
Canopy - type 95 LWA

Side and back doors with lockers	
Side and/or back air inlet with jalousies	
Top air outlet	
Position of exhaust silencer	in the canopy
Canopy colour: top RAL 3000 / bottom RAL 9005	
Length (L)	3500 mm
Width (W)	1340 mm
Height (H)	2085 mm
Height with industr. silencer (HI)	-
Height with resid. silencer (HR)	-
Weight without control panel and exhaust silencer	3097 kg



Canopy - type 90 LWA

Side and back doors with lockers	
Side and/or back air inlet with jalousies	
Top / side air outlet	
Canopy colour: top RAL 3000 / bottom RAL 9005	
Retention bath	
Exhaust silencer inside of canopy	
Length (L)	4595 mm
Width (W)	1350 mm
Height (H)	2100 mm
Weight without control panel and exhaust silencer	3449 kg



- TBD - To be defined later
 - All pictures are for informational purposes only
 - We reserve the right to change the specification without notice