



www.tts-martin.sk

MARTIN POWER MP 325 D



Output ratings

Prime power - PRP	325 kVA / 260 kW
Standby power - ESP	355 kVA / 284 kW
Current	469 A
Voltage	400 V / 230 V
Frequency	50 Hz
Voltage system	TN-C

Prime power - PRP

These ratings are applicable for supplying continuous electrical power. There is no limitation to the hours of operation and this model can supply 10% overload power for 1 hour in 6 hours.

Standby power - ESP

These ratings are applicable for supplying continuous electrical power (at variable load) in the event of a utility power failure. No overload is permitted on these ratings. Maximum 500 operating hours per year are allowed with maximum continuous work for 300 hours.

Basic information

Engine brand	DOOSAN
Engine model	DP 126 LA
Emission limit	Stage I
Speed	1500 min-1
Control panel current AMF5, M1, P1 (AMF1)	500 A (- A)
Standard fuel tank capacity	500 l

Dimensions and weights

Length (L)	3080 mm
Width (W)	1315 mm
Height (H)	1740 mm
Height with CP* (HCP)	1740 mm
Weight without CP*	2676 kg

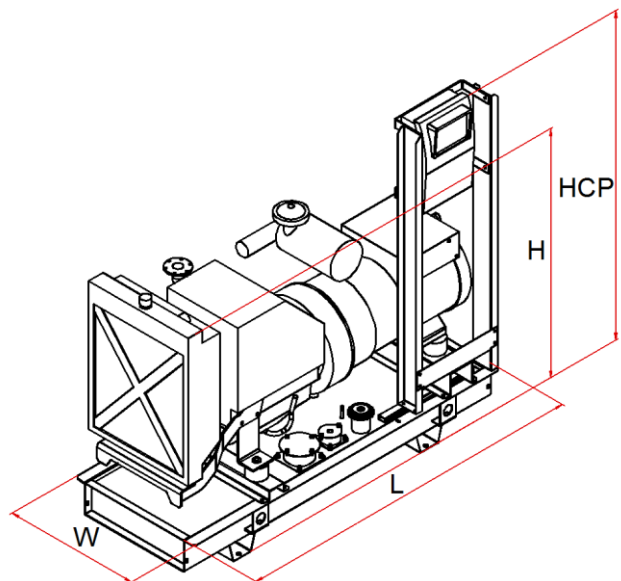
* Control panel

Available alternators

Mecc Alte	ECO38-3L/4
Sincro	SK 315 SS
Marelli	MJB 315 SB 4
WEG	AG10 250 MI10AI



- TBD - To be defined later
- All pictures are for informational purposes only
- We reserve the right to change the specification without notice



Genset details

Consumption @ 100% PRP	68 l
Consumption @ 75 % of PRP	51 l
Consumption @ 50 % of PRP	34 l
Consumption @ 25 % of PRP	18 l
Battery voltage	24 V
Battery	2x110 Ah

Standard scope of supply

Engine
4-stroke diesel engine
Engine harness
Radiator with fan
Air filter
Intercooler
Turbocharger (for turbocharged)
Charging alternator
Oil cooler
Oil filter
Fuel filter
Fuel supply pump
Oil draining valve
Starter
Alternator
Self regulation system
Self excitation system
Synchronous
Single bearing
Protection IP 21
Automatic voltage regulator
Brushless
Flexible connection disk + housing
Base frame
Steel base frame
Flexible antivibration mounting
Integrated fuel tank
Fuel level sensor
Fuel filling cap with ventilation
Starting accumulator
Counter flange, sealing, set of connection material
Initial filling of oil and coolant
Standard factory load test
Operation and maintenance manual

Engine details

Prime power - PRP	277 kW
Standby power - ESP	305 kW
Intake	turbocharged with intercooler
Speed governor	electronic
Cylinders	6L
Displacement	11,05 dm ³
Air requirement for intake	16,8 m ³ /min
Air requirement for cooling	312 m ³ /min
Max. back-pressure at intake	6 kPa
Thermal power - cooling	125,9 kW
Thermal power - radiated	55,5 kW
Exhaust gas flow	46,8 m ³ /min
Max. back-pressure at exhaust	5,9 kPa
Max. exhaust temperature	585 °C
Performance class	G3
Specific fuel consumption	2,13 MPa
Engine oil volume	23 l
Coolant volume	51 l

Available optionals

Control panel	MP Manual
	MP Automatic
	MP Parallel
	MP ATS
Canopy 95LWA type [LWA / dB(A)]	94 / 69 @ 7 m
Canopy 90LWA type [LWA / dB(A)]	90 / 65 @ 7 m
Container	20'
Industrial exhaust silencer -20 dB	DN 125
Residential exhaust silencer -30 dB	DN 125

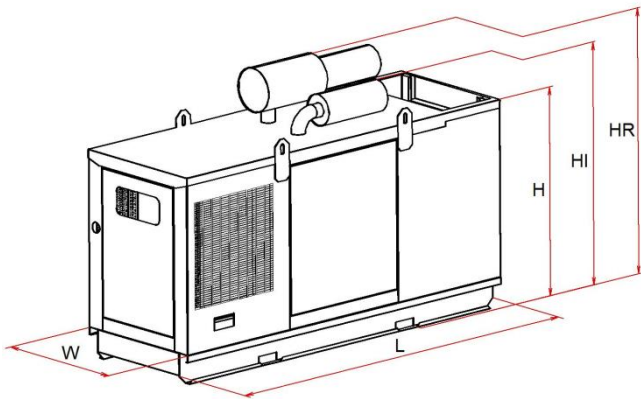
Basic options

Retention bath	
Increased fuel tank	1400 l
Increased IP Protection	
Front air output for canopy	
Electronic speed governor	
Homologized chassis for road transport	
Separate storage tank	
Automatic fuel filling device (AFD)	

Many more other options available

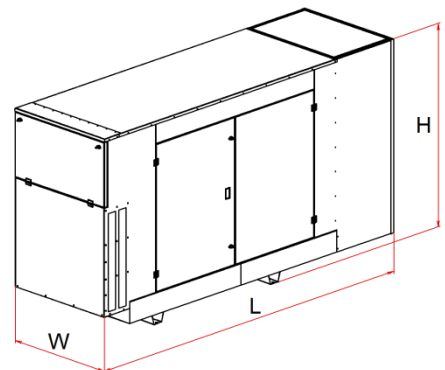
Canopy - type 95 LWA

Side and back doors with lockers	
Side and/or back air inlet with jalousies	
Top air outlet	
Position of exhaust silencer	in the canopy
Canopy colour: top RAL 3000 / bottom RAL 9005	
Length (L)	3500 mm
Width (W)	1340 mm
Height (H)	2085 mm
Height with industr. silencer (HI)	-
Height with resid. silencer (HR)	-
Weight without control panel and exhaust silencer	3678 kg



Canopy - type 90 LWA

Side and back doors with lockers	
Side and/or back air inlet with jalousies	
Top / side air outlet	
Canopy colour: top RAL 3000 / bottom RAL 9005	
Retention bath	
Exhaust silencer inside of canopy	
Length (L)	4270 mm
Width (W)	1420 mm
Height (H)	2010 mm
Weight without control panel and exhaust silencer	3398 kg



- TBD - To be defined later
 - All pictures are for informational purposes only
 - We reserve the right to change the specification without notice