



www.tts-martin.sk

MARTIN POWER MP 525 D



Output ratings

Prime power - PRP	530 kVA / 424 kW
Standby power - ESP	585 kVA / 468 kW
Current	765 A
Voltage	400 V / 230 V
Frequency	50 Hz
Voltage system	TN-C

Prime power - PRP

These ratings are applicable for supplying continuous electrical power. There is no limitation to the hours of operation and this model can supply 10% overload power for 1 hour in 6 hours.

Standby power - ESP

These ratings are applicable for supplying continuous electrical power (at variable load) in the event of a utility power failure. No overload is permitted on these ratings. Maximum 500 operating hours per year are allowed with maximum continuous work for 300 hours.

Basic information

Engine brand	DOOSAN
Engine model	DP 158 LD
Emission limit	Stage I
Speed	1500 min-1
Control panel current AMF5, M1, P1 (AMF1)	800 A (- A)
Standard fuel tank capacity	900 l

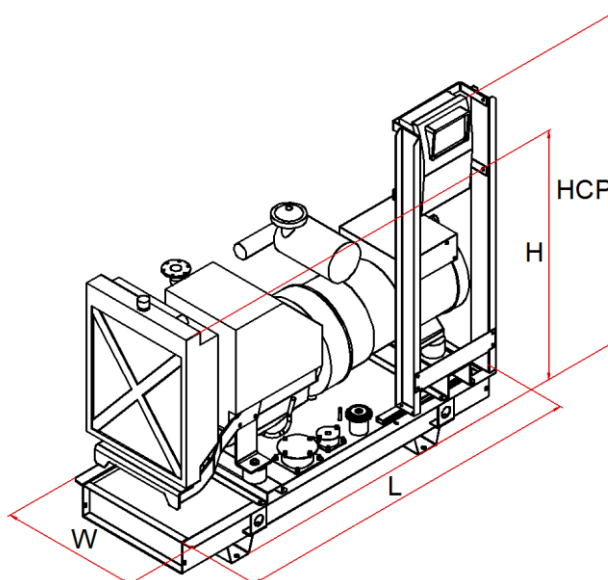
Dimensions and weights

Length (L)	3650 mm
Width (W)	1612 mm
Height (H)	1814 mm
Height with CP* (HCP)	1833 mm
Weight without CP*	3456 kg

* Control panel

Available alternators

Mecc Alte	ECO40-1L/4
Sincro	SK 355 MM
Marelli	MJB 355 SB 4
WEG	AG10 315 MI10AI



- TBD - To be defined later
- All pictures are for informational purposes only
- We reserve the right to change the specification without notice



Genset details

Consumption @ 100% PRP	115 l
Consumption @ 75 % of PRP	83 l
Consumption @ 50 % of PRP	55 l
Consumption @ 25 % of PRP	30 l
Battery voltage	24 V
Battery	2x110 Ah

Standard scope of supply

Engine	
4-stroke diesel engine	
Engine harness	
Radiator with fan	
Air filter	
Intercooler	
Turbocharger (for turbocharged)	
Charging alternator	
Oil cooler	
Oil filter	
Fuel filter	
Fuel supply pump	
Oil draining valve	
Starter	
Alternator	
Self regulation system	
Self excitation system	
Synchronous	
Single bearing	
Protection IP 21	
Automatic voltage regulator	
Brushless	
Flexible connection disk + housing	
Base frame	
Steel base frame	
Flexible antivibration mounting	
Integrated fuel tank	
Fuel level sensor	
Fuel filling cap with ventilation	
Starting accumulator	
Counter flange, sealing, set of connection material	
Initial filling of oil and coolant	
Standard factory load test	
Operation and maintenance manual	

Engine details

Prime power - PRP	448 kW
Standby power - ESP	494 kW
Intake	turbocharged with intercooler
Speed governor	electronic
Cylinders	8V
Displacement	14,62 dm ³
Air requirement for intake	30,8 m ³ /min
Air requirement for cooling	600 m ³ /min
Max. back-pressure at intake	6 kPa
Thermal power - cooling	308 kW
Thermal power - radiated	67 kW
Exhaust gas flow	90 m ³ /min
Max. back-pressure at exhaust	5,9 kPa
Max. exhaust temperature	536 °C
Performance class	G3
Specific fuel consumption	2,53 MPa
Engine oil volume	22 l
Coolant volume	80 l

Available optionals

Control panel	MP Manual
	MP Automatic
	MP Parallel
	MP ATS
Canopy 95LWA type [LWA / dB(A)]	97 / 72 @ 7 m
Canopy 90LWA type [LWA / dB(A)]	92 / 67 @ 7 m
Container	20'
Industrial exhaust silencer -20 dB	DN 150
Residential exhaust silencer -30 dB	DN 150

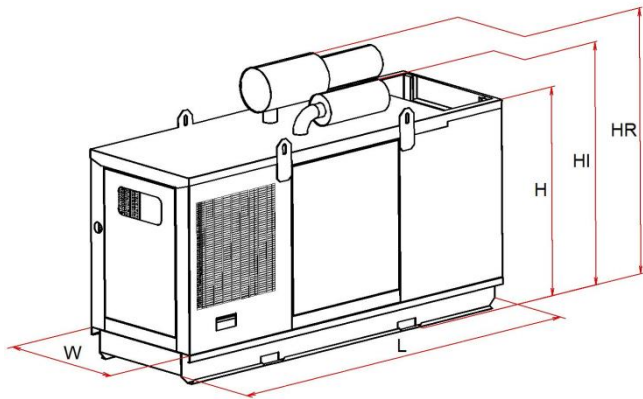
Basic options

Retention bath	
Increased fuel tank	2700 l
Increased IP Protection	
Front air output for canopy	
Electronic speed governor	
Homologized chassis for road transport	
Separate storage tank	
Automatic fuel filling device (AFD)	

Many more other options available

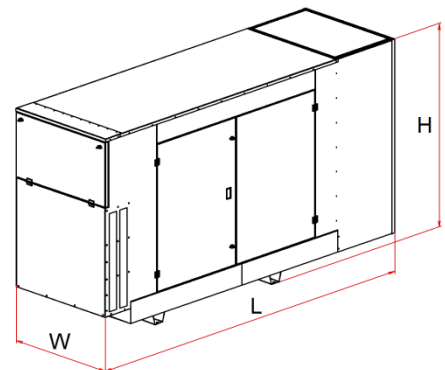
Canopy - type 95 LWA

Side and back doors with lockers	
Side and/or back air inlet with jalousies	
Top air outlet	
Position of exhaust silencer	in the canopy
Canopy colour: top RAL 3000 / bottom RAL 9005	
Length (L)	4400 mm
Width (W)	1612 mm
Height (H)	2388 mm
Height with industr. silencer (HI)	-
Height with resid. silencer (HR)	-
Weight without control panel and exhaust silencer	4286 kg



Canopy - type 90 LWA

Side and back doors with lockers	
Side and/or back air inlet with jalousies	
Top / side air outlet	
Canopy colour: top RAL 3000 / bottom RAL 9005	
Retention bath	
Exhaust silencer inside of canopy	
Length (L)	5085 mm
Width (W)	1580 mm
Height (H)	2180 mm
Weight without control panel and exhaust silencer	4027 kg



- TBD - To be defined later
 - All pictures are for informational purposes only
 - We reserve the right to change the specification without notice