



www.tts-martin.sk

# MARTIN POWER MP 80 I-3



### Output ratings

Prime power - PRP	85 kVA / 68 kW
Standby power - ESP	91 kVA / 73 kW
Current	123 A
Voltage	400 V / 230 V
Frequency	50 Hz
Voltage system	TN-S

#### Prime power - PRP

These ratings are applicable for supplying continuous electrical power. There is no limitation to the hours of operation and this model can supply 10% overload power for 1 hour in 6 hours.

#### Standby power - ESP

These ratings are applicable for supplying continuous electrical power (at variable load) in the event of a utility power failure. No overload is permitted on these ratings. Maximum 500 operating hours per year are allowed with maximum continuous work for 300 hours.

### Basic information

Engine brand	FPT - IVECO
Engine model	N45 TE1F
Emission limit	stage III A
Speed	1500 min-1
Control panel current AMF5, M1, P1 (AMF1)	125 A (160 A)
Standard fuel tank capacity	200 l

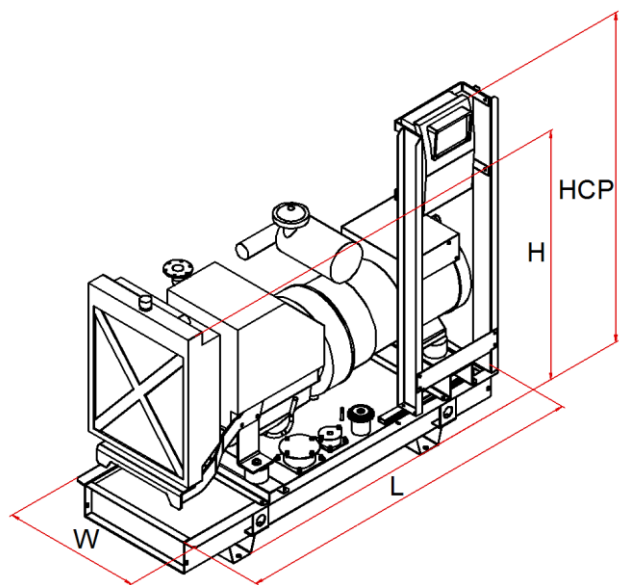
### Dimensions and weights

Length (L)	2265 mm
Width (W)	1112 mm
Height (H)	1355 mm
Height with CP* (HCP)	1578 mm
Weight without CP*	1098 kg

\* Control panel

### Available alternators

Mecc Alte	ECP34-1S/4
Sincro	SK 225 MM
Marelli	MJB 225 SA 4
WEG	GTA 202 AIVS



- TBD - To be defined later
- All pictures are for informational purposes only
- We reserve the right to change the specification without notice



### Genset details

Consumption @ 100% PRP	19 l
Consumption @ 75 % of PRP	15 l
Consumption @ 50 % of PRP	11 l
Consumption @ 25 % of PRP	7 l
Battery voltage	12 V
Battery	88 Ah

### Standard scope of supply

<b>Engine</b>	4-stroke diesel engine
	Engine harness
	Radiator with fan
	Air filter
	Intercooler
	Turbocharger (for turbocharged)
	Charging alternator
	Oil cooler
	Oil filter
	Fuel filter
	Fuel supply pump
	Oil draining valve
	Starter
<b>Alternator</b>	Self regulation system
	Self excitation system
	Synchronous
	Single bearing
	Protection IP 21
	Automatic voltage regulator
	Brushless
	Flexible connection disk + housing
<b>Base frame</b>	Steel base frame
	Flexible antivibration mounting
	Integrated fuel tank
	Fuel level sensor
	Fuel filling cap with ventilation
<b>Starting accumulator</b>	
<b>Counter flange,sealing,set of coonection material</b>	
<b>Initial filling of oil and coolant</b>	
<b>Standard factory load test</b>	
<b>Operation and maintenance manual</b>	

### Engine details

Prime power - PRP	72,5 kW
Standby power - ESP	80 kW
Intake	turbocharged with intercooler
Speed governor	electronic
Cylinders	4L
Displacement	4,5 dm <sup>3</sup>
Air requirement for intake	8,9 m <sup>3</sup> /min
Air requirement for cooling	110 m <sup>3</sup> /min
Max. back-pressure at intake	5 kPa
Thermal power - cooling	52 kW
Thermal power - radiated	18 kW
Exhaust gas flow	18 m <sup>3</sup> /min
Max. back-pressure at exhaust	5 kPa
Max. exhaust temperature	430 °C
Performance class	G 3
Specific fuel consumption	212,5 g/kWh
Engine oil volume	13 l
Coolant volume	19 l

### Available optionals

Control panel	MP Manual
	MP Automatic
	MP Parallel
	MP ATS
Canopy 95LWA type [LWA / dB(A)]	93 / 68 @ 7 m
Canopy 90LWA type [LWA / dB(A)]	90 / 65 @ 7 m
Container	10'
Industrial exhaust silencer -20 dB	DN 70
Residential exhaust silencer -30 dB	DN 70

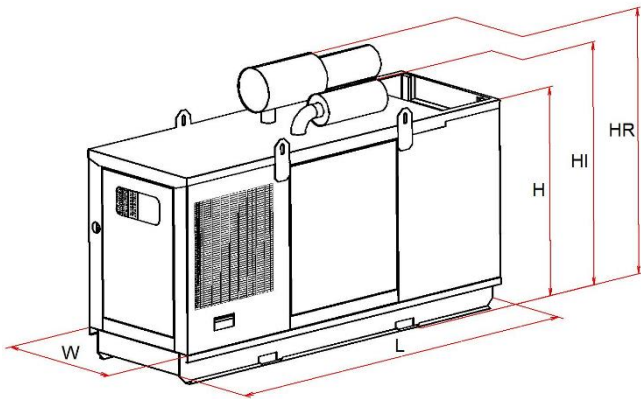
### Basic options

Retention bath	
Increased fuel tank	500 l
Increased IP Protection	
Front air output for canopy	
Electronic speed governor	
Homologized chassis for road transport	
Separate storage tank	
Automatic fuel filling device (AFD)	

Many more other options available

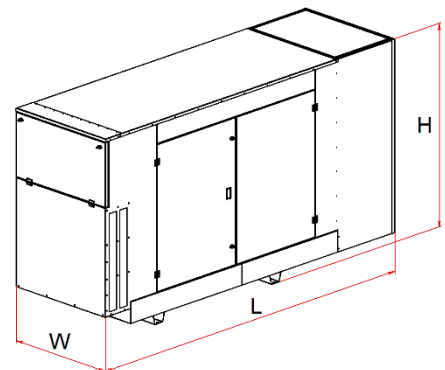
**Canopy - type 95 LWA**

Side and back doors with lockers	
Side and/or back air inlet with jalousies	
Top air outlet	
Position of exhaust silencer	in the canopy
Canopy colour: top RAL 3000 / bottom RAL 9005	
Length (L)	2700 mm
Width (W)	1112 mm
Height (H)	1890 mm
Height with industr. silencer (HI)	-
Height with resid. silencer (HR)	-
Weight without control panel and exhaust silencer	1548 kg



**Canopy - type 90 LWA**

Side and back doors with lockers	
Side and/or back air inlet with jalousies	
Top / side air outlet	
Canopy colour: top RAL 3000 / bottom RAL 9005	
Retention bath	
Exhaust silencer inside of canopy	
Length (L)	3115 mm
Width (W)	1000 mm
Height (H)	1770 mm
Weight without control panel and exhaust silencer	1630 kg



- TBD - To be defined later  
 - All pictures are for informational purposes only  
 - We reserve the right to change the specification without notice