

MARTIN POWER
MP 1000 M2
BASE GENSET



Output Ratings

Prime power - PRP	1000 kVA / 800 kW
Standby power - ESP	1100 kVA / 880 kW
Current	1443 A
Voltage	400 V / 230 V
Frequency	50 Hz
Voltage system	TN-C

Prime power

These ratings are applicable for supplying continuous electrical power. There is no limitation to the hours of operation and this model can supply 10% overload power for 1 hour in 6 hours

Standby power

These ratings are applicable for supplying continuous electrical power (at variable load) in the event of a utility power failure. No overload is permitted on these ratings. In this rating max 500 hours per year is allowed with maximum continuous work for 300 hours

Basic informations

Engine brand	MTU
Engine model	16V 2000 G26F
Emmissions limit	- / TA luft
Speed	1500 min-1
Control panel current	- / 1600 A / 1600 A
AMF1 / AMF5 ,M1 ,P1 / ATS	
Standard fuel tank capacity	1200 l

Dimmensions and weights

Length (L)	TBD
Width (W)	TBD
Height (H)	TBD
Height with CP*(HCP)	TBD
Weight without CP*	TBD

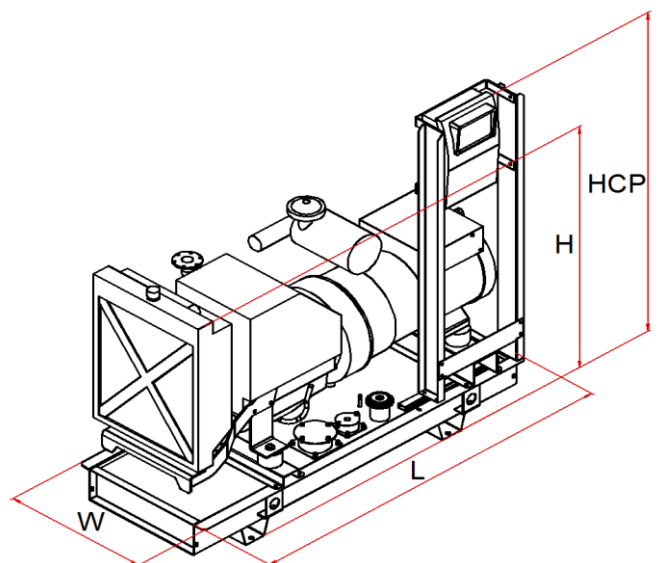
* Control panel

Available alternators

Meccalte	ECO43-1M/4
Sincro	SK 400 SF
Marelli	MJB 400 MB 4
Weg	401AIHE



- TBD - To be defined later
- All pictures are for informational purposes only
- We reserve the right to change the specification without notice



Genset details

Consumption at PRP	190 l
Consumption at 75 % of PRP	145 l
Consumption at 50 % of PRP	100 l
Consumption at 25 % of PRP	56 l
Battery voltage	24 V
Battery	2 x 170 Ah

Standard scope of supply

Engine	
	4 stroke diesel engine
	Engine harness
	Radiator with fan
	Air filter
	Intercooler
	Turbocharger (for turbocharged engines)
	Charging alternator
	Oil cooler
	Oil filter
	Fuel filter
	Fuel supply pump
	Oil draining valve
	Starter
Alternator	
	Self regulation system
	Self excitation system
	Synchronous
	Single bearing
	Protection IP 21
	Automatic voltage regulator
	Brushless
	Flexible connection disk + housing
Base frame	
	Steel base frame
	Flexible antivibration mounting
	Integrated fuel tank
	Fuel level sensor
	Fuel filling cap with ventilation
Starting accumulator	
	Counter flange, sealing, set of connection material
	Initial filling of oil and coolant
	Standard factory load test
	Operation and maintenance manual

Engine details

Prime power - PRP	848 kW
Standby power - ESP	937 kW
Intake	turbocharged with intercooler
Speed governor	electronic
Cylinders	16V
Displacement	35,68 dm ³
Air requirements for intake	61,8 m ³ /min
Air requirements for cooling	1463 m ³ /min
Max. back pressure at intake	4 kPa
Thermic power - cooling	515 kW
Thermic power - irradiated	84 kW
Exhaust gas flow	167 m ³ /min
Max. back pressure at exhaust	5 kPa
Max. exhaust temperature	530°C
Performance class	G 3
Specific fuel consumption	191 g/kWh
Engine oil volume	114 l
Coolant volume	TBD

Available additions

Control panel	MP Manual
	MP Automatic
	MP Parallel
	MP ATS
Canopy	95 LWA (70dB/7m)
	90 LWA (65dB/7m)
Container	TBD
Industrial exhaust silencer -20 dB	2 x DN 200
Residential exhaust silencer -30dB	DN 250

Basic options

Retention bath	
Increased fuel tank	3000 l
Increased IP Protection	
Front air output for canopy	
Electronic speed governor	
Homologized chassis for road transport	
Separate storage tank	
Automatic fuel filling device (AFD)	

Lot more options available

Canopy - 95 LWA (70 dB at 7 m)

Side and back doors with lockers

Side and/or back air inlet with jalousies

Top air outlet

Position of exhaust silencer TBD

Red (RAL3000) + Black (RAL9005) color of canopy

Length (L) TBD

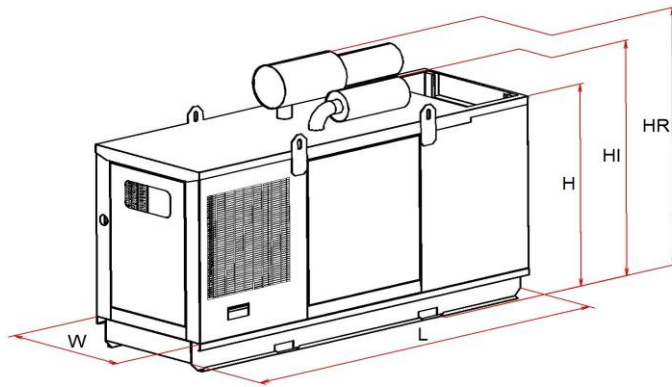
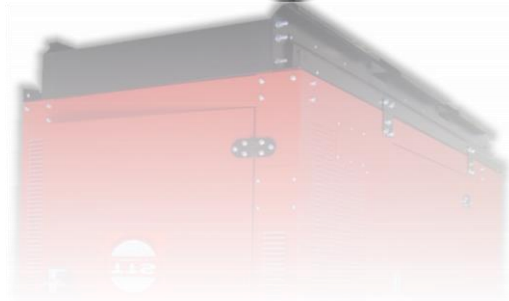
Width (W) TBD

Height (H) TBD

Height with industr. silencer (HI) TBD

Height with resid. silencer(HR) TBD

Weight without control panel and exhaust silencer TBD



Canopy - 90 LWA (65 dB at 7 m)

Side and back doors with lockers

Side and/or back air inlet with jalousies

Top / side air outlet

Red (RAL3000) + Black (RAL9005) color of canopy

Retention bath

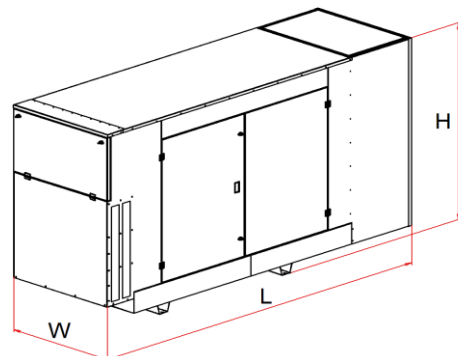
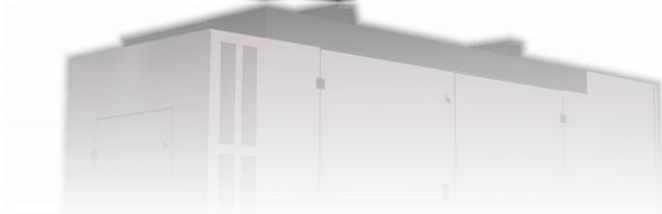
Exhaust silencer inside of canopy

Length (L) TBD

Width (W) TBD

Height (H) TBD

Weight without control panel and exhaust silencer TBD



- TBD - To be defined later
- All pictures are for informational purposes only
- We reserve the right to change the specification without notice