

**MARTIN POWER**  
**MP 350 O**  
**BASE GENSET**



**Output Ratings**

Prime power - PRP	350 kVA / 280 kW
Standby power - ESP	385 kVA / 308 kW
Current	505 A
Voltage	400 V / 230 V
Frequency	50 Hz
Voltage system	TN-C

**Prime power**

These ratings are applicable for supplying continuous electrical power. There is no limitation to the hours of operation and this model can supply 10% overload power for 1 hour in 6 hours

**Standby power**

These ratings are applicable for supplying continuous electrical power (at variable load) in the event of a utility power failure. No overload is permitted on these ratings. In this rating max 500 hours per year is allowed with maximum continuous work for 300 hours

**Basic informations**

Engine brand	VOLVO
Engine model	TAD1342GE
Emmissions limit	stage II
Speed	1500 min-1
Control panel current	- / 500 A / 630 A
AMF1 / AMF5 ,M1 ,P1 / ATS	
Standard fuel tank capacity	600 l

**Dimmensions and weights**

Length (L)	TBD
Width (W)	TBD
Height (H)	TBD
Height with CP*(HCP)	TBD
Weight without CP*	TBD

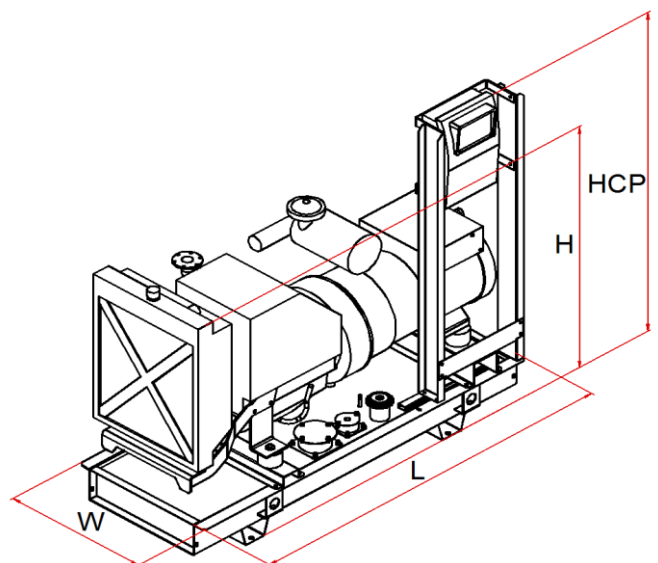
\* Control panel

**Available alternators**

Meccalte	ECO38-3L/4
Sincro	SK 315 SS
Marelli	MJB 315 SB 4
Weg	250MI20AI



- TBD - To be defined later
- All pictures are for informational purposes only
- We reserve the right to change the specification without notice



**Genset details**

Consumption at PRP	67,8 l
Consumption at 75 % of PRP	51,4 l
Consumption at 50 % of PRP	33,1 l
Consumption at 25 % of PRP	19,5 l
Battery voltage	24 V
Battery	2 x 110 Ah

**Standard scope of supply**

<b>Engine</b>	
	4 stroke diesel engine
	Engine harness
	Radiator with fan
	Air filter
	Intercooler
	Turbocharger (for turbocharged engines)
	Charging alternator
	Oil cooler
	Oil filter
	Fuel filter
	Fuel supply pump
	Oil draining valve
	Starter
<b>Alternator</b>	
	Self regulation system
	Self excitation system
	Synchronous
	Single bearing
	Protection IP 21
	Automatic voltage regulator
	Brushless
	Flexible connection disk + housing
<b>Base frame</b>	
	Steel base frame
	Flexible antivibration mounting
	Integrated fuel tank
	Fuel level sensor
	Fuel filling cap with ventilation
<b>Starting accumulator</b>	
	Counter flange,sealing,set of coonnection material
	Initial filling of oil and coolant
	Standard factory load test
	Operation and maintenance manual

**Engine details**

Prime power - PRP	303 kW
Standby power - ESP	333 kW
Intake	turbocharged with intercooler
Speed governor	electronic
Cylinders	6L
Displacement	12,78 dm <sup>3</sup>
Air requirements for intake	24,6 m <sup>3</sup> /min
Air requirements for cooling	270 m <sup>3</sup> /min
Max. back pressure at intake	5 kPa
Thermic power - cooling	198 kW
Thermic power - irradiated	34 kW
Exhaust gas flow	53,8 m <sup>3</sup> /min
Max. back pressure at exhaust	9 kPa
Max. exhaust temperature	395 °C
Performance class	TBD
Specific fuel consumption	191 g/kWh
Engine oil volume	36 l
Coolant volume	44 l

**Available additions**

Control panel	MP Manual
	MP Automatic
	MP Parallel
	MP ATS
Canopy	95 LWA (70dB/7m)
	90 LWA (65dB/7m)
Container	TBD
Industrial exhaust silencer -20 dB	DN 125
Residential exhaust silencer -30dB	DN 125

**Basic options**

Retention bath	
Increased fuel tank	1700 l
Increased IP Protection	
Front air output for canopy	
Electronic speed governor	
Homologized chassis for road transport	
Separate storage tank	
Automatic fuel filling device (AFD)	

Lot more options available

**Canopy - 95 LWA (70 dB at 7 m)**

Side and back doors with lockers

Side and/or back air inlet with jalousies

Top air outlet

Position of exhaust silencer in canopy

Red (RAL3000) + Black (RAL9005) color of canopy

Length (L) 4425 mm

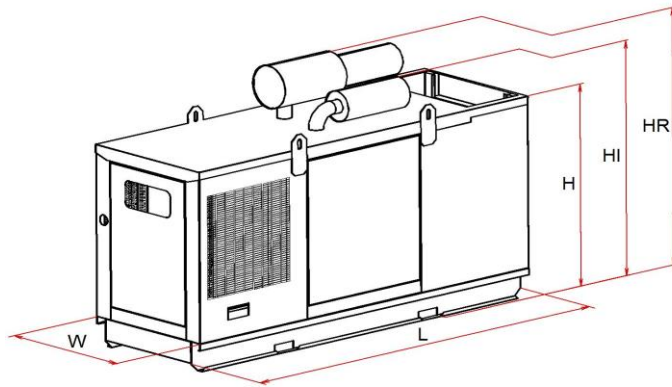
Width (W) 1635 mm

Height (H) 2395 mm

Height with industr. silencer (HI) -

Height with resid. silencer(HR) -

Weight without control panel and exhaust silencer TBD



**Canopy - 90 LWA (65 dB at 7 m)**

Side and back doors with lockers

Side and/or back air inlet with jalousies

Top / side air outlet

Red (RAL3000) + Black (RAL9005) color of canopy

Retention bath

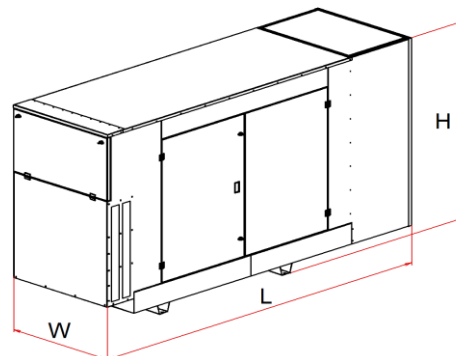
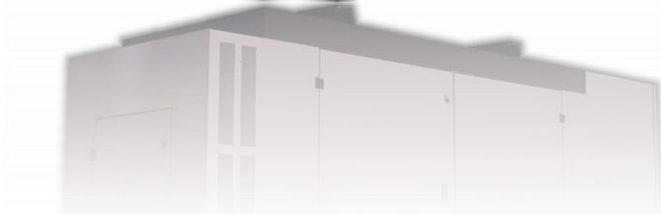
Exhaust silencer inside of canopy

Length (L) TBD

Width (W) TBD

Height (H) TBD

Weight without control panel and exhaust silencer TBD



- TBD - To be defined later
- All pictures are for informational purposes only
- We reserve the right to change the specification without notice