

**MARTIN POWER**  
**MP 35 B**  
**BASE GENSET**



**Output Ratings**

Prime power - PRP	34 kVA / 27,2 kW
Standby power - ESP	37 kVA / 29,6 kW
Current	49 A
Voltage	400 V / 230 V
Frequency	50 Hz
Voltage system	TN-S

**Prime power**

These ratings are applicable for supplying continuous electrical power. There is no limitation to the hours of operation and this model can supply 10% overload power for 1 hour in 6 hours

**Standby power**

These ratings are applicable for supplying continuous electrical power (at variable load) in the event of a utility power failure. No overload is permitted on these ratings. In this rating max 500 hours per year is allowed with maximum continuous work for 300 hours

**Basic informations**

Engine brand	LOMBARDINI
Engine model	LDW 2204 CHD
Emmissions limit	Stage II
Speed	3000 min-1
Control panel current	60 A / 50 A / 50 A
AMF1 / AMF5 ,M1 ,P1 / ATS	
Standard fuel tank capacity	100 l

**Dimmensions and weights**

Length (L)	TBD
Width (W)	TBD
Height (H)	TBD
Height with CP*(HCP)	TBD
Weight without CP*	TBD

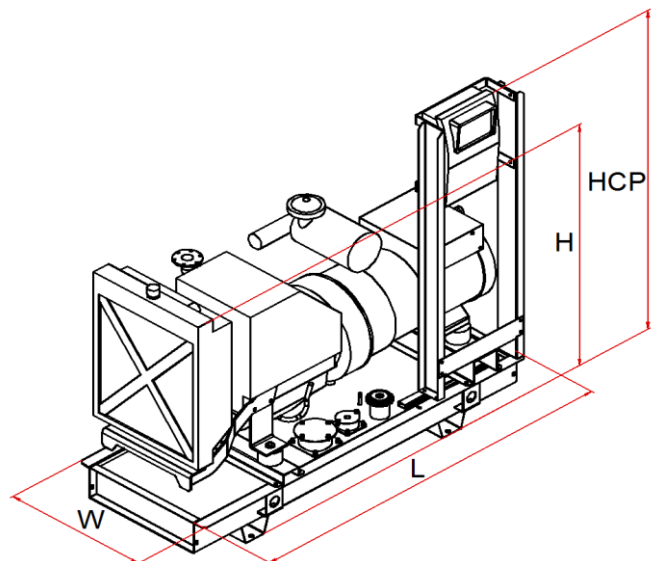
\* Control panel

**Available alternators**

Meccalte	ECP28-VL/2 A
Sincro	IB2 SB
Marelli	-
Weg	-



- TBD - To be defined later
- All pictures are for informational purposes only
- We reserve the right to change the specification without notice



**Genset details**

Consumption at PRP	9,9 l
Consumption at 75 % of PRP	7,4 l
Consumption at 50 % of PRP	5,2 l
Consumption at 25 % of PRP	2,6 l
Battery voltage	12 V
Battery	70 Ah

**Standard scope of supply**

<b>Engine</b>	
4 stroke diesel engine	
Engine harness	
Radiator with fan	
Air filter	
Intercooler	
Turbocharger (for turbocharged engines)	
Charging alternator	
Oil cooler	
Oil filter	
Fuel filter	
Fuel supply pump	
Oil draining valve	
Starter	
<b>Alternator</b>	
Self regulation system	
Self excitation system	
Synchronous	
Single bearing	
Protection IP 21	
Automatic voltage regulator	
Brushless	
Flexible connection disk + housing	
<b>Base frame</b>	
Steel base frame	
Flexible antivibration mounting	
Integrated fuel tank	
Fuel level sensor	
Fuel filling cap with ventilation	
<b>Starting accumulator</b>	
Counter flange,sealing,set of connection material	
Initial filling of oil and coolant	
Standard factory load test	
Operation and maintenance manual	

**Engine details**

Prime power - PRP	31,8 kW
Standby power - ESP	35 kW
Intake	natural
Speed governor	mechanical
Cylinders	4L
Displacement	2,199 dm3
Air requirements for intake	3,3 m3/min
Air requirements for cooling	128 m3/min
Max. back pressure at intake	TBD
Thermic power - cooling	TBD
Thermic power - irradiated	TBD
Exhaust gas flow	TBD
Max. back pressure at exhaust	TBD
Max. exhaust temperature	TBD
Performance class	G 2
Specific fuel consumption	265 g/kWh
Engine oil volume	4,5 l
Coolant volume	TBD

**Available additions**

Control panel	MP Manual
	MP Automatic
	MP Parallel
	MP ATS
Canopy	95 LWA (70dB/7m)
	90 LWA (65dB/7m)
Container	TBD
Industrial exhaust silencer -20 dB	TBD
Residential exhaust silencer -30dB	TBD

**Basic options**

Retention bath	
Increased fuel tank	300 l
Increased IP Protection	
Front air output for canopy	
Electronic speed governor	
Homologized chassis for road transport	
Separate storage tank	
Automatic fuel filling device (AFD)	

Lot more options available

**Canopy - 95 LWA (70 dB at 7 m)**

Side and back doors with lockers

Side and/or back air inlet with jalousies

Top air outlet

Position of exhaust silencer in canopy

Red (RAL3000) + Black (RAL9005) color of canopy

Length (L) 2250 mm

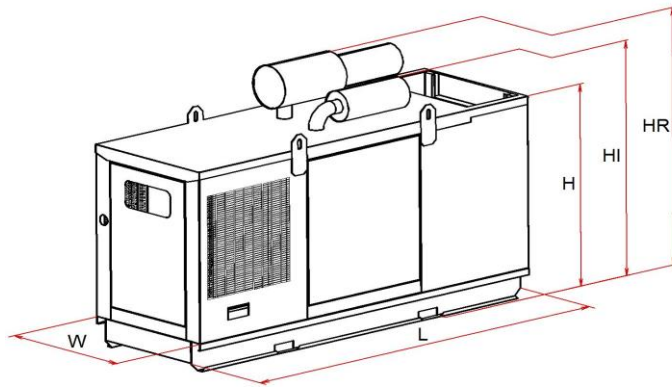
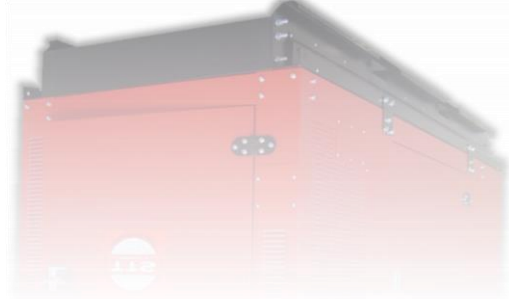
Width (W) 935 mm

Height (H) 1525 mm

Height with industr. silencer (HI) -

Height with resid. silencer(HR) -

Weight without control panel and exhaust silencer TBD



**Canopy - 90 LWA (65 dB at 7 m)**

Side and back doors with lockers

Side and/or back air inlet with jalousies

Top / side air outlet

Red (RAL3000) + Black (RAL9005) color of canopy

Retention bath

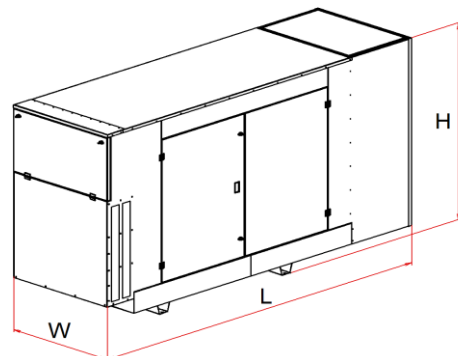
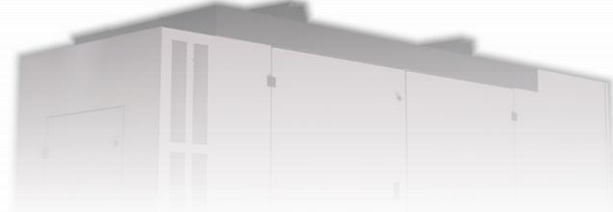
Exhaust silencer inside of canopy

Length (L) TBD

Width (W) TBD

Height (H) TBD

Weight without control panel and exhaust silencer TBD



- TBD - To be defined later
- All pictures are for informational purposes only
- We reserve the right to change the specification without notice