

**MARTIN POWER**  
**MP 450 M**  
**BASE GENSET**



**Output Ratings**

Prime power - PRP	457 kVA / 366 kW
Standby power - ESP	505 kVA / 404 kW
Current	659 A
Voltage	400 V / 230 V
Frequency	50 Hz
Voltage system	TN-C

**Prime power**

These ratings are applicable for supplying continuous electrical power. There is no limitation to the hours of operation and this model can supply 10% overload power for 1 hour in 6 hours

**Standby power**

These ratings are applicable for supplying continuous electrical power (at variable load) in the event of a utility power failure. No overload is permitted on these ratings. In this rating max 500 hours per year is allowed with maximum continuous work for 300 hours

**Basic informations**

Engine brand	MTU
Engine model	10V 1600 G10F
Emmissions limit	- / Stage IIIA
Speed	1500 min-1
Control panel current	- / 800 A / 800 A
AMF1 / AMF5 ,M1 ,P1 / ATS	
Standard fuel tank capacity	800 l

**Dimmensions and weights**

Length (L)	TBD
Width (W)	TBD
Height (H)	TBD
Height with CP*(HCP)	TBD
Weight without CP*	TBD

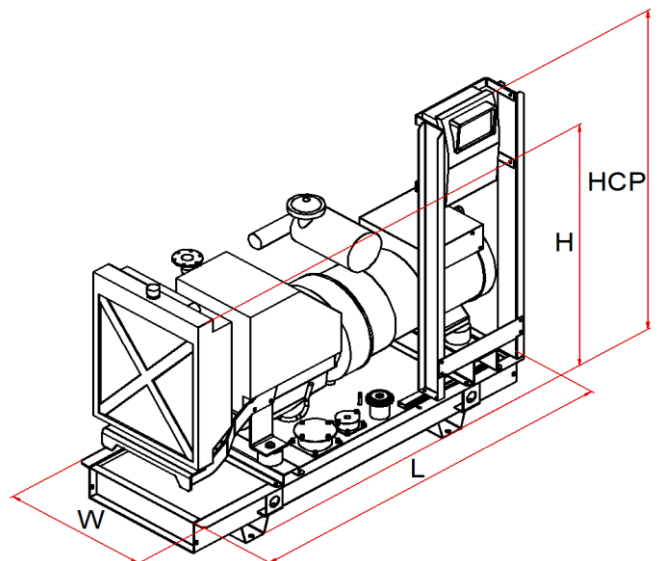
\* Control panel

**Available alternators**

Meccalte	ECO40-2S/4
Sincro	SK 315 SL
Marelli	MJB 315 MB 4
Weg	280MI30AI



- TBD - To be defined later
- All pictures are for informational purposes only
- We reserve the right to change the specification without notice



**Genset details**

Consumption at PRP	87,2 l
Consumption at 75 % of PRP	70,2 l
Consumption at 50 % of PRP	50,2 l
Consumption at 25 % of PRP	27,9 l
Battery voltage	24 V
Battery	2 x 110 Ah

**Standard scope of supply**

<b>Engine</b>	
	4 stroke diesel engine
	Engine harness
	Radiator with fan
	Air filter
	Intercooler
	Turbocharger (for turbocharged engines)
	Charging alternator
	Oil cooler
	Oil filter
	Fuel filter
	Fuel supply pump
	Oil draining valve
	Starter
<b>Alternator</b>	
	Self regulation system
	Self excitation system
	Synchronous
	Single bearing
	Protection IP 21
	Automatic voltage regulator
	Brushless
	Flexible connection disk + housing
<b>Base frame</b>	
	Steel base frame
	Flexible antivibration mounting
	Integrated fuel tank
	Fuel level sensor
	Fuel filling cap with ventilation
<b>Starting accumulator</b>	
	Counter flange, sealing, set of connection material
	Initial filling of oil and coolant
	Standard factory load test
	Operation and maintenance manual

**Engine details**

Prime power - PRP	390 kW
Standby power - ESP	431 kW
Intake	turbocharged with intercooler
Speed governor	electronic
Cylinders	10V
Displacement	17,5 dm <sup>3</sup>
Air requirements for intake	24 m <sup>3</sup> /min
Air requirements for cooling	582 m <sup>3</sup> /min
Max. back pressure at intake	5 kPa
Thermic power - cooling	263 kW
Thermic power - irradiated	45 kW
Exhaust gas flow	69 m <sup>3</sup> /min
Max. back pressure at exhaust	15 kPa
Max. exhaust temperature	549°C
Performance class	G 3
Specific fuel consumption	191 g/kWh
Engine oil volume	60 l
Coolant volume	TBD

**Available additions**

Control panel	MP Manual
	MP Automatic
	MP Parallel
	MP ATS
Canopy	95 LWA (70dB/7m)
	90 LWA (65dB/7m)
Container	TBD
Industrial exhaust silencer -20 dB	2 x DN 100
Residential exhaust silencer -30dB	DN 150

**Basic options**

Retention bath	
Increased fuel tank	2500 l
Increased IP Protection	
Front air output for canopy	
Electronic speed governor	
Homologized chassis for road transport	
Separate storage tank	
Automatic fuel filling device (AFD)	

Lot more options available

**Canopy - 95 LWA (70 dB at 7 m)**

Side and back doors with lockers

Side and/or back air inlet with jalousies

Top air outlet

Position of exhaust silencer on canopy

Red (RAL3000) + Black (RAL9005) color of canopy

Length (L) 4425 mm

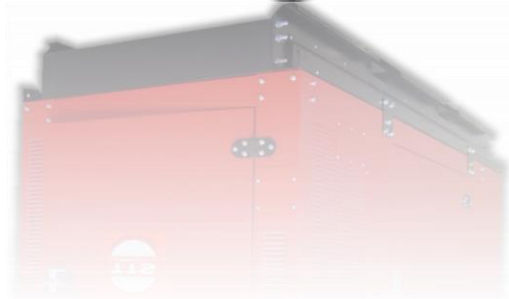
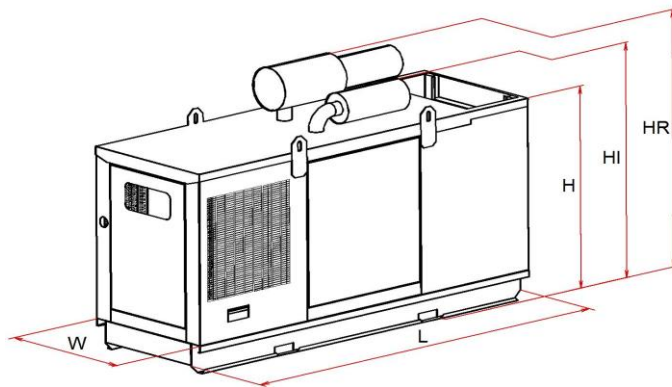
Width (W) 1635 mm

Height (H) 2395 mm

Height with industr. silencer (HI) 2645 mm

Height with resid. silencer(HR) 3005 mm

Weight without control panel and exhaust silencer TBD



**Canopy - 90 LWA (65 dB at 7 m)**

Side and back doors with lockers

Side and/or back air inlet with jalousies

Top / side air outlet

Red (RAL3000) + Black (RAL9005) color of canopy

Retention bath

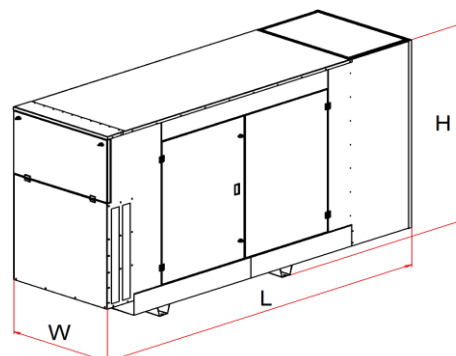
Exhaust silencer inside of canopy

Length (L) TBD

Width (W) TBD

Height (H) TBD

Weight without control panel and exhaust silencer TBD



- TBD - To be defined later
- All pictures are for informational purposes only
- We reserve the right to change the specification without notice