

MARTIN POWER
MP 450 O
BASE GENSET



Output Ratings

Prime power - PRP	455 kVA / 364 kW
Standby power - ESP	505 kVA / 404 kW
Current	657 A
Voltage	400 V / 230 V
Frequency	50 Hz
Voltage system	TN-C

Prime power

These ratings are applicable for supplying continuous electrical power. There is no limitation to the hours of operation and this model can supply 10% overload power for 1 hour in 6 hours

Standby power

These ratings are applicable for supplying continuous electrical power (at variable load) in the event of a utility power failure. No overload is permitted on these ratings. In this rating max 500 hours per year is allowed with maximum continuous work for 300 hours

Basic informations

Engine brand	VOLVO
Engine model	TAD1345GE
Emmissions limit	stage II
Speed	1500 min-1
Control panel current	- / 800 A / 800 A
AMF1 / AMF5 ,M1 ,P1 / ATS	
Standard fuel tank capacity	600 l

Dimmensions and weights

Length (L)	TBD
Width (W)	TBD
Height (H)	TBD
Height with CP*(HCP)	TBD
Weight without CP*	TBD

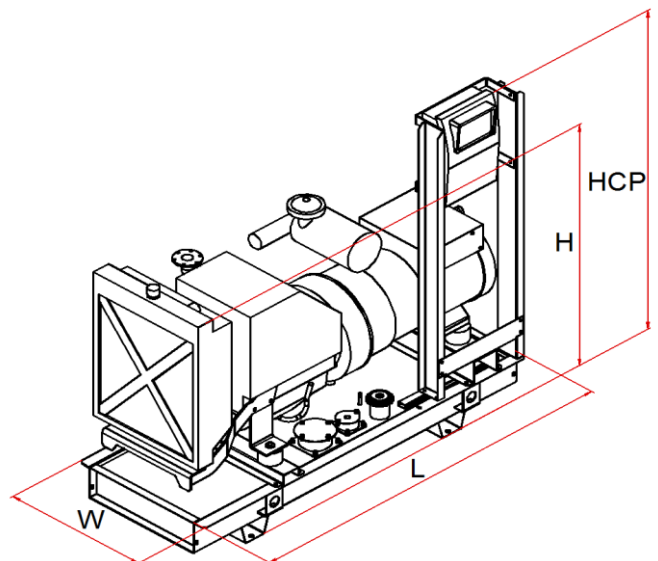
* Control panel

Available alternators

Meccalte	ECO40-2S/4
Sincro	SK 315 SL
Marelli	MJB 315 MB 4
Weg	280MI30AI



- TBD - To be defined later
- All pictures are for informational purposes only
- We reserve the right to change the specification without notice



Genset details

Consumption at PRP	89,1 l
Consumption at 75 % of PRP	67,1 l
Consumption at 50 % of PRP	45 l
Consumption at 25 % of PRP	24 l
Battery voltage	24 V
Battery	2 x 110 Ah

Standard scope of supply

Engine	
	4 stroke diesel engine
	Engine harness
	Radiator with fan
	Air filter
	Intercooler
	Turbocharger (for turbocharged engines)
	Charging alternator
	Oil cooler
	Oil filter
	Fuel filter
	Fuel supply pump
	Oil draining valve
	Starter
Alternator	
	Self regulation system
	Self excitation system
	Synchronous
	Single bearing
	Protection IP 21
	Automatic voltage regulator
	Brushless
	Flexible connection disk + housing
Base frame	
	Steel base frame
	Flexible antivibration mounting
	Integrated fuel tank
	Fuel level sensor
	Fuel filling cap with ventilation
Starting accumulator	
	Counter flange, sealing, set of connection material
	Initial filling of oil and coolant
	Standard factory load test
	Operation and maintenance manual

Engine details

Prime power - PRP	388 kW
Standby power - ESP	431 kW
Intake	turbocharged with intercooler
Speed governor	electronic
Cylinders	6L
Displacement	12,78 dm ³
Air requirements for intake	26,8 m ³ /min
Air requirements for cooling	378 m ³ /min
Max. back pressure at intake	5 kPa
Thermic power - cooling	223 kW
Thermic power - irradiated	39 kW
Exhaust gas flow	56,8 m ³ /min
Max. back pressure at exhaust	9 kPa
Max. exhaust temperature	475 °C
Performance class	TBD
Specific fuel consumption	196 g/kWh
Engine oil volume	36 l
Coolant volume	44 l

Available additions

Control panel	MP Manual
	MP Automatic
	MP Parallel
	MP ATS
Canopy	95 LWA (70dB/7m)
	90 LWA (65dB/7m)
Container	TBD
Industrial exhaust silencer -20 dB	DN 150
Residential exhaust silencer -30dB	DN 150

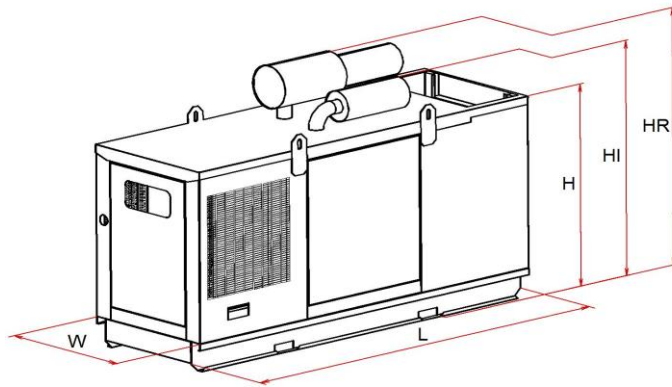
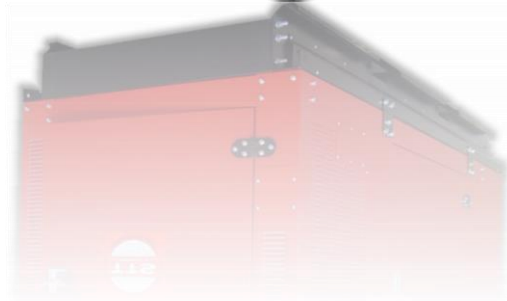
Basic options

Retention bath	
Increased fuel tank	1700 l
Increased IP Protection	
Front air output for canopy	
Electronic speed governor	
Homologized chassis for road transport	
Separate storage tank	
Automatic fuel filling device (AFD)	

Lot more options available

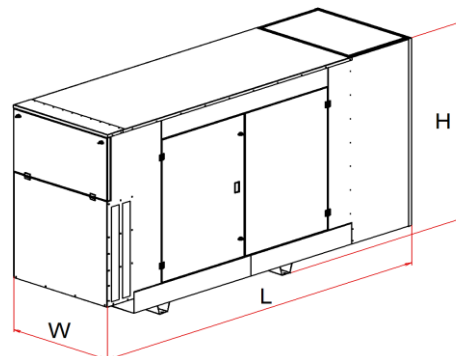
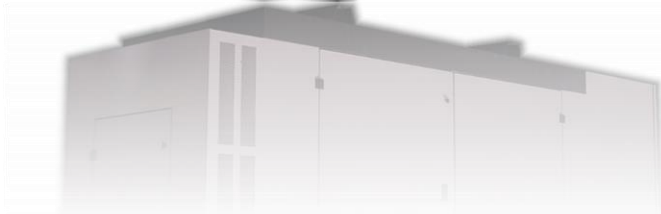
Canopy - 95 LWA (70 dB at 7 m)

Side and back doors with lockers	
Side and/or back air inlet with jalousies	
Top air outlet	
Position of exhaust silencer	TBD
Red (RAL3000) + Black (RAL9005) color of canopy	
Length (L)	TBD
Width (W)	TBD
Height (H)	TBD
Height with industr. silencer (HI)	TBD
Height with resid. silencer(HR)	TBD
Weight without control panel and exhaust silencer	TBD



Canopy - 90 LWA (65 dB at 7 m)

Side and back doors with lockers	
Side and/or back air inlet with jalousies	
Top / side air outlet	
Red (RAL3000) + Black (RAL9005) color of canopy	
Retention bath	
Exhaust silencer inside of canopy	
Length (L)	TBD
Width (W)	TBD
Height (H)	TBD
Weight without control panel and exhaust silencer	TBD



- TBD - To be defined later
- All pictures are for informational purposes only
- We reserve the right to change the specification without notice