



**MARTIN POWER**

**M 1**

**MP MANUAL**



**Basic informations and accesories**

M1 - Manual

Nominal current In [A]	25-5000
Voltage system - standard	TN - S
Standardly placed	On base frame

**Main tasks**

- Controlling of genset, which works as a sole energy generating set
- Transferring load to the genset is possible only manually

**Operating modes**

- MANUAL** - Start of genset is done manually, Circuit breaker is switched manually
- OFF** - Genset is in blocking state and doesn't react to commands from control panel

**Available options**

- Coolant preheater
- Automatic fuel filling device
- Horn
- Potential free command "Engine running"
- Potential free command "Common alarm"
- Potential free command "Fuel reserve"
- Control of air cooling system
- Remote control panel with TOTAL STOP
- Remote control panel without TOTAL STOP
- Remote control through RS485
- Remote control through USB
- Remote control through GSM / GPRS MODEM
- Remote control through ETHERNET / INTERNET
- Remote control through ETHERNET / INTERNET protocol SNMP
- Increased mechanical protection
- Forced ventilation
- Anticondensant heater
- Tunnel terminals

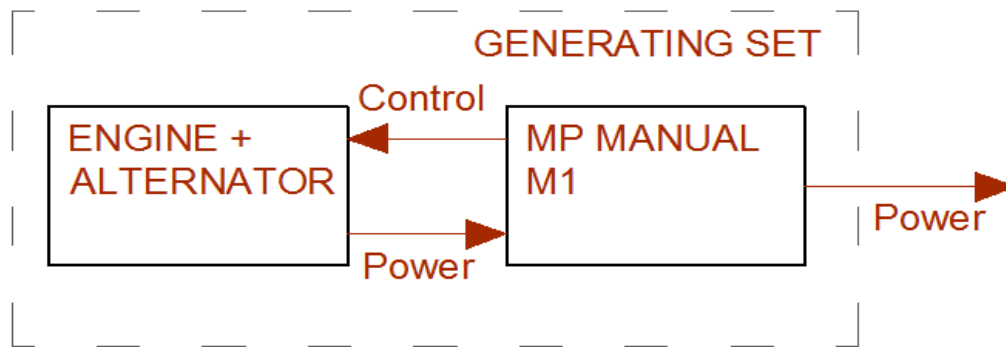


**Advanced informations**

Mechanical protection IP 40/20  
 Mode OFF, MANUAL  
 Generator voltage – L1,L2,L3 - digital  
 Generator current L1,L2,L3 – digital  
 Generator frequency – digital  
 Generator apparent power [kVA] – digital  
 Generator active power [kW] - digital  
 Generator reactive power [kVAr] - digital  
 Power factor [cos fi]  
 Produced energy [kWh] - digital  
 Engine speed - digital  
 Hours counter - digital  
 Oil pressure – digital  
 Coolant temperature – digital  
 Fuel level [%/ litres]– digital  
 Battery voltage - digital

**Advanced informations**

Engine running signalization  
 Total stop  
 Low oil pressure - protection  
 High engine temperature - protection  
 Fail to start – protection  
 Charger failure / belt break protection  
 Over / under voltage – protection  
 Over / under frequency – protection  
 Fuel reserve – protection  
 History (119 records)  
 Communication protocol STANDARD  
 Communication protocol MODBUS  
 Remote control through RS232  
 PC software for control, monitoring and adjusting of controller



Basic scheme of genset with MP MANUAL

- Other special functions and accessories are available according to customer request
- All pictures are for informational purposes only
- We reserve the right to change the specification without notice