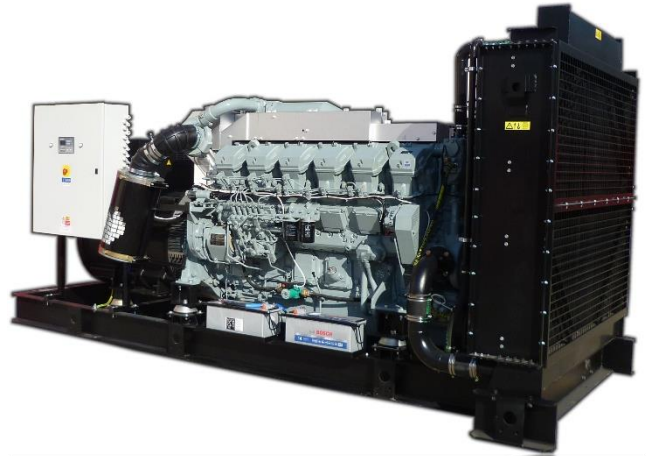




www.tts-martin.sk

MARTIN POWER MP 1500 M



Output ratings

Prime power - PRP	1540 kVA / 1232 kW
Standby power - ESP	1690 kVA / 1352 kW
Current	2222 A
Voltage	400 V / 230 V
Frequency	50 Hz
Voltage system	TN-C

Prime power - PRP

These ratings are applicable for supplying continuous electrical power. There is no limitation to the hours of operation and this model can supply 10% overload power for 1 hour in 6 hours.

Standby power - ESP

These ratings are applicable for supplying continuous electrical power (at variable load) in the event of a utility power failure. No overload is permitted on these ratings. Maximum 500 operating hours per year are allowed with maximum continuous work for 300 hours.

Basic information

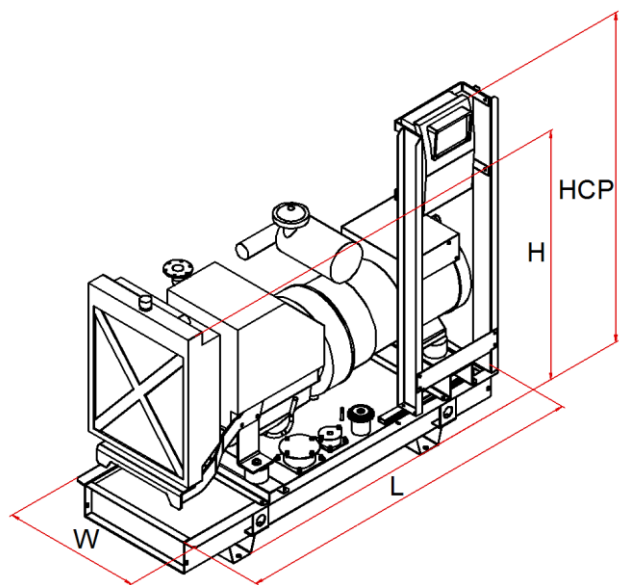
Engine brand	MITSUBISHI
Engine model	S12R-F1PTAW2
Emission limit	TA-Luft
Speed	1500 min-1
Control panel current AMF5, M1, P1 (AMF1)	2500 A (- A)
Standard fuel tank capacity	1200 l

Dimensions and weights

Length (L)	5000 mm
Width (W)	2000 mm
Height (H)	3184 mm
Height with CP* (HCP)	
Weight without CP*	10300 kg
* Control panel	

Available alternators

Mecc Alte	ECO46-1S/4
Sincro	SK 450 MF
Marelli	MJB 450 MB 4
WEG	AG10 400 MI80HI



- TBD - To be defined later
- All pictures are for informational purposes only
- We reserve the right to change the specification without notice



Genset details

Consumption @ 100% PRP	311 l
Consumption @ 75 % of PRP	232 l
Consumption @ 50 % of PRP	161 l
Consumption @ 25 % of PRP	101 l
Battery voltage	24 V
Battery	4 x 170 Ah

Standard scope of supply

Engine	4-stroke diesel engine
	Engine harness
	Radiator with fan
	Air filter
	Intercooler
	Turbocharger (for turbocharged)
	Charging alternator
	Oil cooler
	Oil filter
	Fuel filter
	Fuel supply pump
	Oil draining valve
	Starter
Alternator	Self regulation system
	Self excitation system
	Synchronous
	Single bearing
	Protection IP 21
	Automatic voltage regulator
	Brushless
	Flexible connection disk + housing
Base frame	Steel base frame
	Flexible antivibration mounting
	Integrated fuel tank
	Fuel level sensor
	Fuel filling cap with ventilation
Starting acumulator	
Counter flange,sealing,set of coonection material	
Initial filling of oil and coolant	
Standard factory load test	
Operation and maintenance manual	

Engine details

Prime power - PRP	1299 kW
Standby power - ESP	1432 kW
Intake	turbocharged with intercooler
Speed governor	electronic
Cylinders	12V
Displacement	49,03 dm ³
Air requirement for intake	117 m ³ /min
Air requirement for cooling	1800 m ³ /min
Max. back-pressure at intake	4 kPa
Thermal power - cooling	792 kW
Thermal power - radiated	144 kW
Exhaust gas flow	287 m ³ /min
Max. back-pressure at exhaust	6 kPa
Max. exhaust temperature	550°C
Performance class	G 3
Specific fuel consumption	205 g/kWh
Engine oil volume	180 l
Coolant volume	300 l

Available optionals

Control panel	MP Manual
	MP Automatic
	MP Parallel
	MP ATS
Canopy 95LWA type [LWA / dB(A)]	100 / 75 @ 7 m
Canopy 90LWA type [LWA / dB(A)]	-
Container	30'
Industrial exhaust silencer -20 dB	DN 300
Residential exhaust silencer -30 dB	DN 300

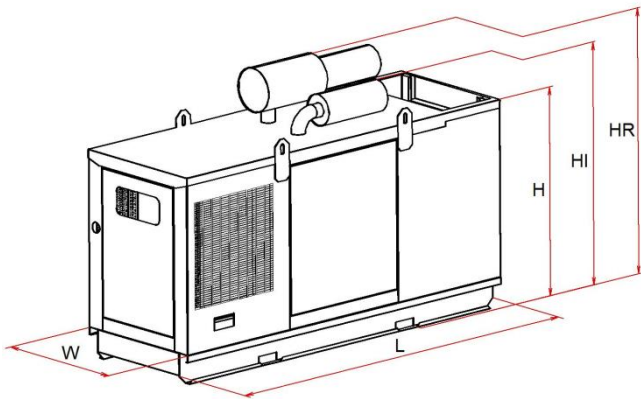
Basic options

Retention bath	
Increased fuel tank	3000 l
Increased IP Protection	
Front air output for canopy	
Electronic speed governor	
Homologized chassis for road transport	
Separate storage tank	
Automatic fuel filling device (AFD)	

Many more other options available

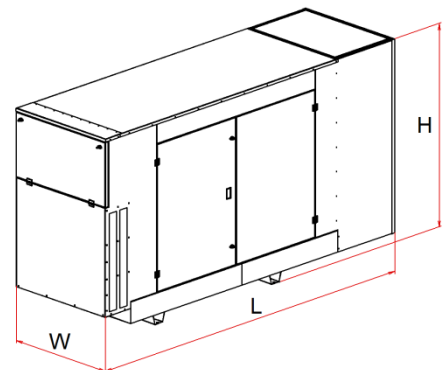
Canopy - type 95 LWA

Side and back doors with lockers	
Side and/or back air inlet with jalousies	
Top air outlet	
Position of exhaust silencer	EN
Canopy colour: top RAL 3000 / bottom RAL 9005	
Length (L)	7804 mm
Width (W)	3064 mm
Height (H)	3705 mm
Height with industr. silencer (HI)	tlmič v kapote
Height with resid. silencer (HR)	tlmič v kapote
Weight without control panel and exhaust silencer	11 485 kg



Canopy - type 90 LWA

Side and back doors with lockers	
Side and/or back air inlet with jalousies	
Top / side air outlet	
Canopy colour: top RAL 3000 / bottom RAL 9005	
Retention bath	
Exhaust silencer inside of canopy	
Length (L)	-
Width (W)	-
Height (H)	-
Weight without control panel and exhaust silencer	-



- TBD - To be defined later
- All pictures are for informational purposes only
- We reserve the right to change the specification without notice