



www.tts-martin.sk

# MARTIN POWER MP 200 I



### Output ratings

Prime power - PRP	205 kVA / 164 kW
Standby power - ESP	225 kVA / 180 kW
Current	296 A
Voltage	400 V / 230 V
Frequency	50 Hz
Voltage system	TN-C

#### Prime power - PRP

These ratings are applicable for supplying continuous electrical power. There is no limitation to the hours of operation and this model can supply 10% overload power for 1 hour in 6 hours.

#### Standby power - ESP

These ratings are applicable for supplying continuous electrical power (at variable load) in the event of a utility power failure. No overload is permitted on these ratings. Maximum 500 operating hours per year are allowed with maximum continuous work for 300 hours.

### Basic information

Engine brand	FPT - IVECO
Engine model	N67 TM7
Emission limit	-
Speed	1500 min-1
Control panel current AMF5, M1, P1 (AMF1)	300 A (- A)
Standard fuel tank capacity	300 l

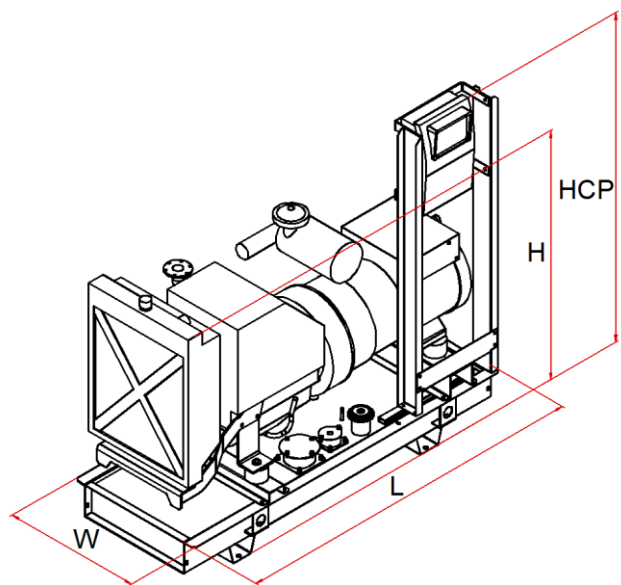
### Dimensions and weights

Length (L)	2675 mm
Width (W)	1112 mm
Height (H)	1656 mm
Height with CP* (HCP)	1705 mm
Weight without CP*	1469 kg

\* Control panel

### Available alternators

Mecc Alte	ECO38-2S/4
Sincro	SK 250 MM
Marelli	MJB 250 LA 4
WEG	AG10 250 SI10AI



- TBD - To be defined later
- All pictures are for informational purposes only
- We reserve the right to change the specification without notice



**Genset details**

Consumption @ 100% PRP	42 l
Consumption @ 75 % of PRP	32 l
Consumption @ 50 % of PRP	23 l
Consumption @ 25 % of PRP	13 l
Battery voltage	12 V
Battery	110 Ah

**Standard scope of supply**

<b>Engine</b>
4-stroke diesel engine
Engine harness
Radiator with fan
Air filter
Intercooler
Turbocharger (for turbocharged)
Charging alternator
Oil cooler
Oil filter
Fuel filter
Fuel supply pump
Oil draining valve
Starter
<b>Alternator</b>
Self regulation system
Self excitation system
Synchronous
Single bearing
Protection IP 21
Automatic voltage regulator
Brushless
Flexible connection disk + housing
<b>Base frame</b>
Steel base frame
Flexible antivibration mounting
Integrated fuel tank
Fuel level sensor
Fuel filling cap with ventilation
<b>Starting accumulator</b>
Counter flange,sealing,set of connection material
Initial filling of oil and coolant
Standard factory load test
Operation and maintenance manual

**Engine details**

Prime power - PRP	177 kW
Standby power - ESP	195 kW
Intake	turbocharged with intercooler
Speed governor	mechanical
Cylinders	6L
Displacement	6,7 dm <sup>3</sup>
Air requirement for intake	11,3 m <sup>3</sup> /min
Air requirement for cooling	180 m <sup>3</sup> /min
Max. back-pressure at intake	5 kPa
Thermal power - cooling	111 kW
Thermal power - radiated	34 kW
Exhaust gas flow	34 m <sup>3</sup> /min
Max. back-pressure at exhaust	5 kPa
Max. exhaust temperature	560 °C
Performance class	G 2
Specific fuel consumption	193 g/kWh
Engine oil volume	17 l
Coolant volume	26 l

**Available optionals**

Control panel	MP Manual
	MP Automatic
	MP Parallel
	MP ATS
Canopy 95LWA type [LWA / dB(A)]	92 / 67 @ 7 m
Canopy 90LWA type [LWA / dB(A)]	90 / 65 @ 7 m
Container	20'
Industrial exhaust silencer -20 dB	DN 100
Residential exhaust silencer -30 dB	DN 100

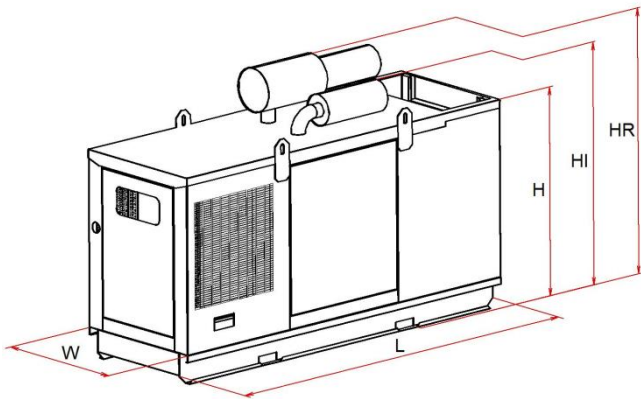
**Basic options**

Retention bath	
Increased fuel tank	900 l
Increased IP Protection	
Front air output for canopy	
Electronic speed governor	
Homologized chassis for road transport	
Separate storage tank	
Automatic fuel filling device (AFD)	

Many more other options available

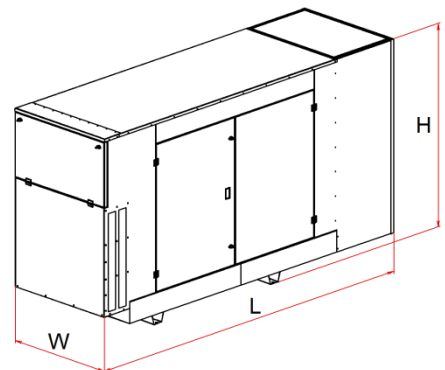
**Canopy - type 95 LWA**

Side and back doors with lockers	
Side and/or back air inlet with jalousies	
Top air outlet	
Position of exhaust silencer	in the canopy
Canopy colour: top RAL 3000 / bottom RAL 9005	
Length (L)	3200 mm
Width (W)	1112 mm
Height (H)	2035 mm
Height with industr. silencer (HI)	-
Height with resid. silencer (HR)	-
Weight without control panel and exhaust silencer	2110 kg



**Canopy - type 90 LWA**

Side and back doors with lockers	
Side and/or back air inlet with jalousies	
Top / side air outlet	
Canopy colour: top RAL 3000 / bottom RAL 9005	
Retention bath	
Exhaust silencer inside of canopy	
Length (L)	3650 mm
Width (W)	1100 mm
Height (H)	1900 mm
Weight without control panel and exhaust silencer	2161 kg



- TBD - To be defined later
- All pictures are for informational purposes only
- We reserve the right to change the specification without notice