



www.tts-martin.sk

# MARTIN POWER MP 400 D



### Output ratings

Prime power - PRP	410 kVA / 328 kW
Standby power - ESP	450 kVA / 360 kW
Current	592 A
Voltage	400 V / 230 V
Frequency	50 Hz
Voltage system	TN-C

#### Prime power - PRP

These ratings are applicable for supplying continuous electrical power. There is no limitation to the hours of operation and this model can supply 10% overload power for 1 hour in 6 hours.

#### Standby power - ESP

These ratings are applicable for supplying continuous electrical power (at variable load) in the event of a utility power failure. No overload is permitted on these ratings. Maximum 500 operating hours per year are allowed with maximum continuous work for 300 hours.

### Basic information

Engine brand	DOOSAN
Engine model	P 158 LE
Emission limit	Stage I
Speed	1500 min-1
Control panel current AMF5, M1, P1 (AMF1)	630 A (- A)
Standard fuel tank capacity	700 l

### Dimensions and weights

Length (L)	3650 mm
Width (W)	1612 mm
Height (H)	1814 mm
Height with CP* (HCP)	1833 mm
Weight without CP*	3220 kg

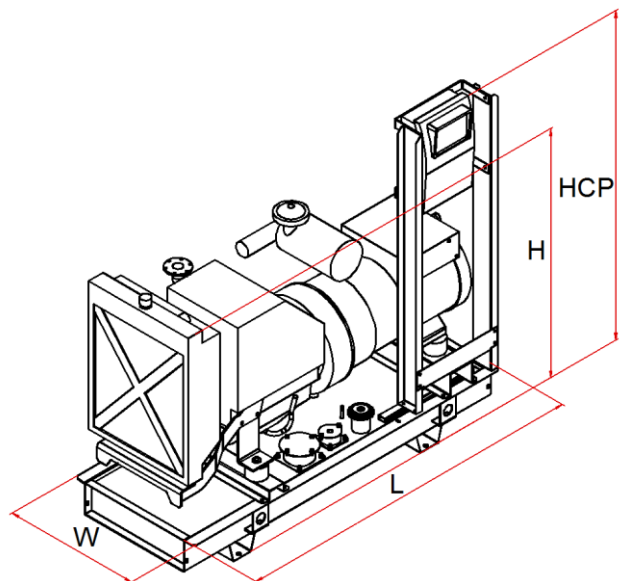
\* Control panel

### Available alternators

Mecc Alte	ECO40-1S/4
Sincro	SK 315 SM
Marelli	MJB 315 MA 4
WEG	AG10 280 MI20AI



- TBD - To be defined later
- All pictures are for informational purposes only
- We reserve the right to change the specification without notice



**Genset details**

Consumption @ 100% PRP	89 l
Consumption @ 75 % of PRP	65 l
Consumption @ 50 % of PRP	44 l
Consumption @ 25 % of PRP	24 l
Battery voltage	24 V
Battery	2x110 Ah

**Standard scope of supply**

<b>Engine</b>	4-stroke diesel engine
	Engine harness
	Radiator with fan
	Air filter
	Intercooler
	Turbocharger (for turbocharged)
	Charging alternator
	Oil cooler
	Oil filter
	Fuel filter
	Fuel supply pump
	Oil draining valve
	Starter
<b>Alternator</b>	Self regulation system
	Self excitation system
	Synchronous
	Single bearing
	Protection IP 21
	Automatic voltage regulator
	Brushless
	Flexible connection disk + housing
<b>Base frame</b>	Steel base frame
	Flexible antivibration mounting
	Integrated fuel tank
	Fuel level sensor
	Fuel filling cap with ventilation
<b>Starting accumulator</b>	
<b>Counter flange,sealing,set of connection material</b>	
<b>Initial filling of oil and coolant</b>	
<b>Standard factory load test</b>	
<b>Operation and maintenance manual</b>	

**Engine details**

Prime power - PRP	349 kW
Standby power - ESP	400 kW
Intake	turbocharged with intercooler
Speed governor	electronic
Cylinders	8V
Displacement	14,62 dm <sup>3</sup>
Air requirement for intake	26,2 m <sup>3</sup> /min
Air requirement for cooling	450 m <sup>3</sup> /min
Max. back-pressure at intake	6 kPa
Thermal power - cooling	209,8 kW
Thermal power - radiated	50,9 kW
Exhaust gas flow	70 m <sup>3</sup> /min
Max. back-pressure at exhaust	5,9 kPa
Max. exhaust temperature	580 °C
Performance class	G3
Specific fuel consumption	1,99 MPa
Engine oil volume	22 l
Coolant volume	80 l

**Available optionals**

Control panel	MP Manual
	MP Automatic
	MP Parallel
	MP ATS
Canopy 95LWA type [LWA / dB(A)]	96 / 71 @ 7 m
Canopy 90LWA type [LWA / dB(A)]	91 / 66 @ 7 m
Container	20'
Industrial exhaust silencer -20 dB	DN 150
Residential exhaust silencer -30 dB	DN 150

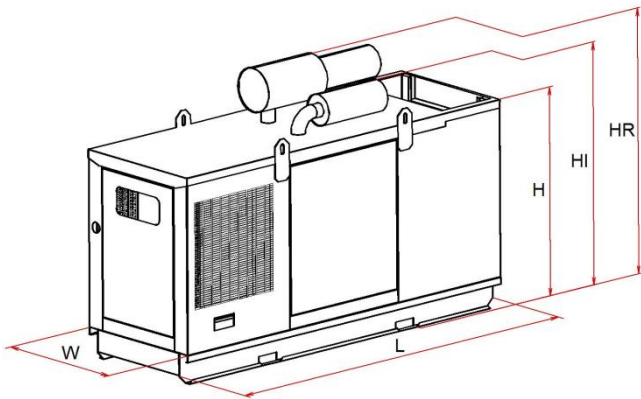
**Basic options**

Retention bath	
Increased fuel tank	2000 l
Increased IP Protection	
Front air output for canopy	
Electronic speed governor	
Homologized chassis for road transport	
Separate storage tank	
Automatic fuel filling device (AFD)	

Many more other options available

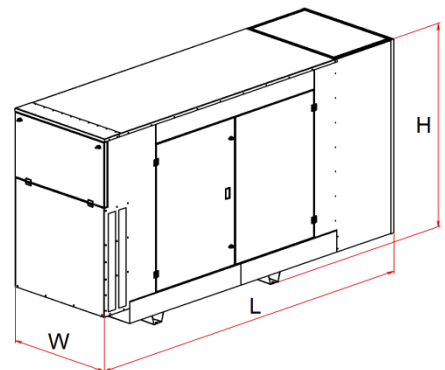
**Canopy - type 95 LWA**

Side and back doors with lockers	
Side and/or back air inlet with jalousies	
Top air outlet	
Position of exhaust silencer	in the canopy
Canopy colour: top RAL 3000 / bottom RAL 9005	
Length (L)	4400 mm
Width (W)	1612 mm
Height (H)	2388 mm
Height with industr. silencer (HI)	-
Height with resid. silencer (HR)	-
Weight without control panel and exhaust silencer	4050 kg



**Canopy - type 90 LWA**

Side and back doors with lockers	
Side and/or back air inlet with jalousies	
Top / side air outlet	
Canopy colour: top RAL 3000 / bottom RAL 9005	
Retention bath	
Exhaust silencer inside of canopy	
Length (L)	4835 mm
Width (W)	1580 mm
Height (H)	2180 mm
Weight without control panel and exhaust silencer	3791 kg



- TBD - To be defined later
- All pictures are for informational purposes only
- We reserve the right to change the specification without notice