



www.tts-martin.sk

# MARTIN POWER MP 400 I-3



### Output ratings

Prime power - PRP	400 kVA / 320 kW
Standby power - ESP	440 kVA / 352 kW
Current	577 A
Voltage	400 V / 230 V
Frequency	50 Hz
Voltage system	TN-C

#### Prime power - PRP

These ratings are applicable for supplying continuous electrical power. There is no limitation to the hours of operation and this model can supply 10% overload power for 1 hour in 6 hours.

#### Standby power - ESP

These ratings are applicable for supplying continuous electrical power (at variable load) in the event of a utility power failure. No overload is permitted on these ratings. Maximum 500 operating hours per year are allowed with maximum continuous work for 300 hours.

### Basic information

Engine brand	FPT - IVECO
Engine model	C13 TE2F
Emission limit	stage III A
Speed	1500 min-1
Control panel current AMF5, M1, P1 (AMF1)	630 A ( - A)
Standard fuel tank capacity	750 l

### Available alternators

Mecc Alte	ECO40-1S/4
Sincro	SK 315 SM
Marelli	MJB 315 MA 4
WEG	AG10 280 MI20AI

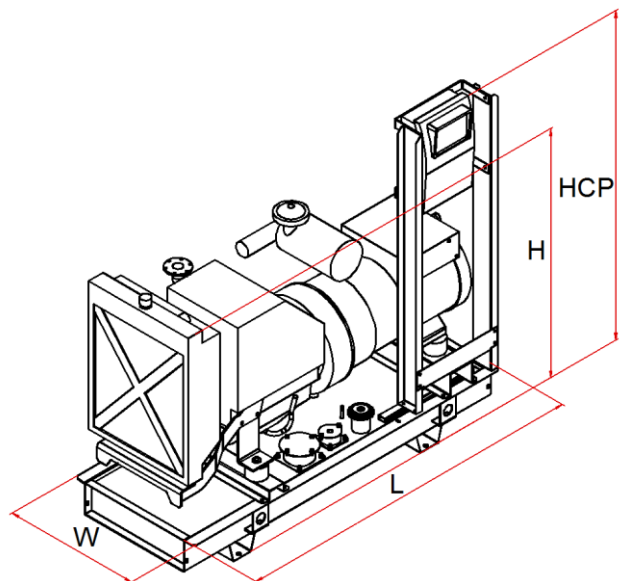
### Dimensions and weights

Length (L)	3445 mm (3595 mm)
Width (W)	1612 mm
Height (H)	1814 mm
Height with CP* (HCP)	1833 mm
Weight without CP*	2781 kg

\* Control panel



- TBD - To be defined later
- All pictures are for informational purposes only
- We reserve the right to change the specification without notice



### Genset details

Consumption @ 100% PRP	92 l
Consumption @ 75 % of PRP	70 l
Consumption @ 50 % of PRP	56 l
Consumption @ 25 % of PRP	32 l
Battery voltage	24 V
Battery	2 x 140 Ah

### Standard scope of supply

<b>Engine</b>
4-stroke diesel engine
Engine harness
Radiator with fan
Air filter
Intercooler
Turbocharger (for turbocharged)
Charging alternator
Oil cooler
Oil filter
Fuel filter
Fuel supply pump
Oil draining valve
Starter
<b>Alternator</b>
Self regulation system
Self excitation system
Synchronous
Single bearing
Protection IP 21
Automatic voltage regulator
Brushless
Flexible connection disk + housing
<b>Base frame</b>
Steel base frame
Flexible antivibration mounting
Integrated fuel tank
Fuel level sensor
Fuel filling cap with ventilation
Starting accumulator
Counter flange, sealing, set of connection material
Initial filling of oil and coolant
Standard factory load test
Operation and maintenance manual

### Engine details

Prime power - PRP	342 kW
Standby power - ESP	377 kW
Intake	turbocharged with intercooler
Speed governor	electronic
Cylinders	6L
Displacement	12,9 dm <sup>3</sup>
Air requirement for intake	30 m <sup>3</sup> /min
Air requirement for cooling	335 m <sup>3</sup> /min
Max. back-pressure at intake	5 kPa
Thermal power - cooling	212 kW
Thermal power - radiated	61 kW
Exhaust gas flow	86 m <sup>3</sup> /min
Max. back-pressure at exhaust	5 kPa
Max. exhaust temperature	520 °C
Performance class	G 3
Specific fuel consumption	213 g/kWh
Engine oil volume	35 l
Coolant volume	67 l

### Available optionals

Control panel	MP Manual
	MP Automatic
	MP Parallel
	MP ATS
Canopy 95LWA type [LWA / dB(A)]	96 / 71 @ 7 m
Canopy 90LWA type [LWA / dB(A)]	91 / 66 @ 7 m
Container	20'
Industrial exhaust silencer -20 dB	DN 150
Residential exhaust silencer -30 dB	DN 150

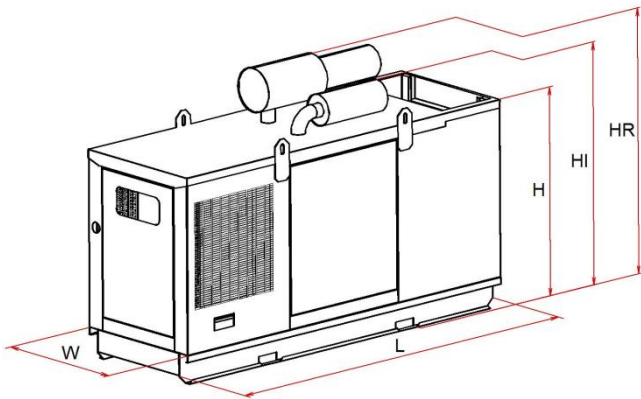
### Basic options

Retention bath	
Increased fuel tank	2000 l
Increased IP Protection	
Front air output for canopy	
Electronic speed governor	
Homologized chassis for road transport	
Separate storage tank	
Automatic fuel filling device (AFD)	

Many more other options available

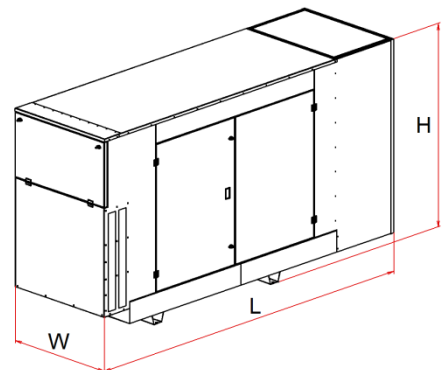
**Canopy - type 95 LWA**

Side and back doors with lockers	
Side and/or back air inlet with jalousies	
Top air outlet	
Position of exhaust silencer	in the canopy
Canopy colour: top RAL 3000 / bottom RAL 9005	
Length (L)	4400 mm
Width (W)	1612 mm
Height (H)	2388 mm
Height with industr. silencer (HI)	-
Height with resid. silencer (HR)	-
Weight without control panel and exhaust silencer	3440 kg



**Canopy - type 90 LWA**

Side and back doors with lockers	
Side and/or back air inlet with jalousies	
Top / side air outlet	
Canopy colour: top RAL 3000 / bottom RAL 9005	
Retention bath	
Exhaust silencer inside of canopy	
Length (L)	4885 mm
Width (W)	1500 mm
Height (H)	2180 mm
Weight without control panel and exhaust silencer	3981 kg



- TBD - To be defined later  
 - All pictures are for informational purposes only  
 - We reserve the right to change the specification without notice