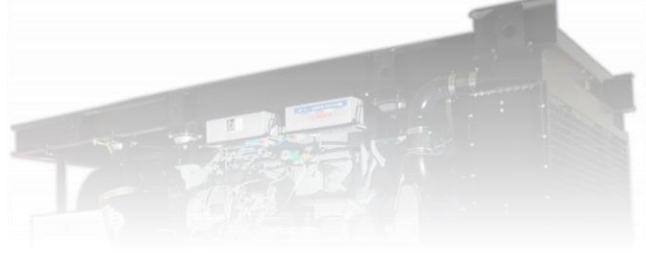
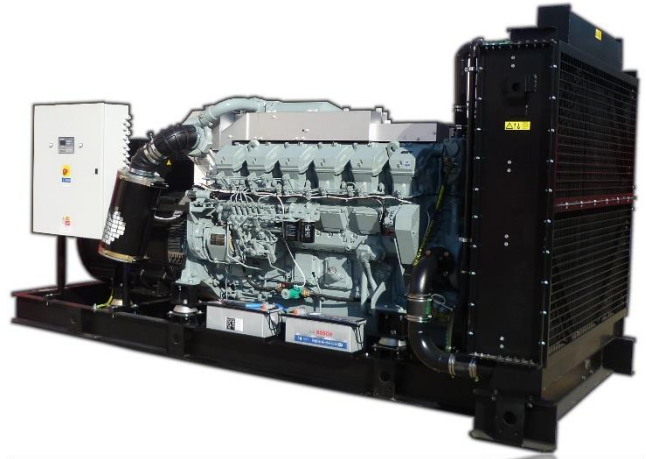




www.tts-martin.sk

MARTIN POWER MP 700 D



Output ratings

Prime power - PRP	685 kVA / 548 kW
Standby power - ESP	750 kVA / 600 kW
Current	988 A
Voltage	400 V / 230 V
Frequency	50 Hz
Voltage system	TN-C

Prime power - PRP

These ratings are applicable for supplying continuous electrical power. There is no limitation to the hours of operation and this model can supply 10% overload power for 1 hour in 6 hours.

Standby power - ESP

These ratings are applicable for supplying continuous electrical power (at variable load) in the event of a utility power failure. No overload is permitted on these ratings. Maximum 500 operating hours per year are allowed with maximum continuous work for 300 hours.

Basic information

Engine brand	DOOSAN
Engine model	DP 222 LB
Emission limit	Stage I
Speed	1500 min-1
Control panel current AMF5, M1, P1 (AMF1)	1000 A (- A)
Standard fuel tank capacity	1200 l

Dimensions and weights

Length (L)	3700 mm
Width (W)	1401 mm
Height (H)	2164 mm
Height with CP* (HCP)	2164 mm
Weight without CP*	3918 kg

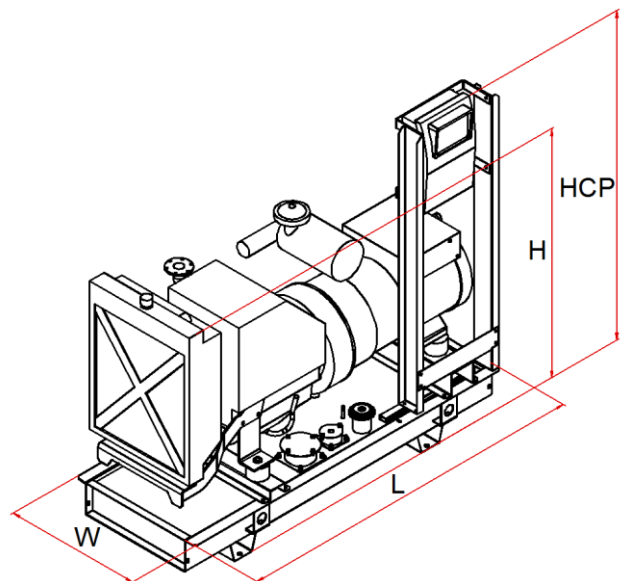
* Control panel

Available alternators

Mecc Alte	ECO40-2L/4
Sincro	SK 355 WL
Marelli	MJB 355 MA 4
WEG	AG10 315 MI30AI



- TBD - To be defined later
- All pictures are for informational purposes only
- We reserve the right to change the specification without notice



Genset details

Consumption @ 100% PRP	147 l
Consumption @ 75 % of PRP	109 l
Consumption @ 50 % of PRP	73 l
Consumption @ 25 % of PRP	39 l
Battery voltage	24 V
Battery	2x170 Ah

Standard scope of supply

Engine
4-stroke diesel engine
Engine harness
Radiator with fan
Air filter
Intercooler
Turbocharger (for turbocharged)
Charging alternator
Oil cooler
Oil filter
Fuel filter
Fuel supply pump
Oil draining valve
Starter
Alternator
Self regulation system
Self excitation system
Synchronous
Single bearing
Protection IP 21
Automatic voltage regulator
Brushless
Flexible connection disk + housing
Base frame
Steel base frame
Flexible antivibration mounting
Integrated fuel tank
Fuel level sensor
Fuel filling cap with ventilation
Starting accumulator
Counter flange, sealing, set of connection material
Initial filling of oil and coolant
Standard factory load test
Operation and maintenance manual

Engine details

Prime power - PRP	580 kW
Standby power - ESP	640 kW
Intake	turbocharged with intercooler
Speed governor	electronic
Cylinders	12V
Displacement	21,93 dm ³
Air requirement for intake	39,2 m ³ /min
Air requirement for cooling	800 m ³ /min
Max. back-pressure at intake	6 kPa
Thermal power - cooling	393 kW
Thermal power - radiated	84 kW
Exhaust gas flow	110 m ³ /min
Max. back-pressure at exhaust	5,9 kPa
Max. exhaust temperature	459 °C
Performance class	G3
Specific fuel consumption	2,20 MPa
Engine oil volume	40 l
Coolant volume	114 l

Available optionals

Control panel	MP Manual
	MP Automatic
	MP Parallel
	MP ATS
Canopy 95LWA type [LWA / dB(A)]	97 / 72 @ 7 m
Canopy 90LWA type [LWA / dB(A)]	92 / 67 @ 7 m
Container	30'
Industrial exhaust silencer -20 dB	DN 200
Residential exhaust silencer -30 dB	DN 200

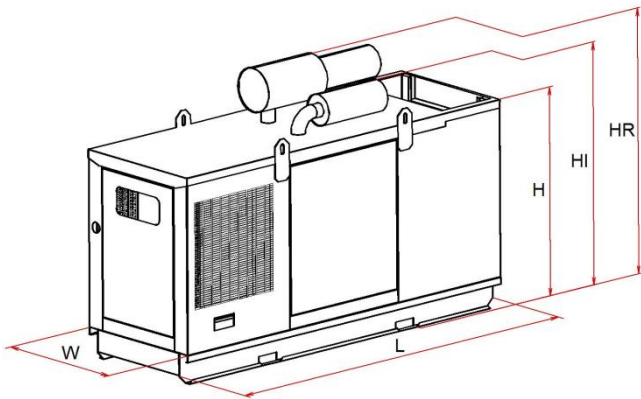
Basic options

Retention bath	
Increased fuel tank	3000 l
Increased IP Protection	
Front air output for canopy	
Electronic speed governor	
Homologized chassis for road transport	
Separate storage tank	
Automatic fuel filling device (AFD)	

Many more other options available

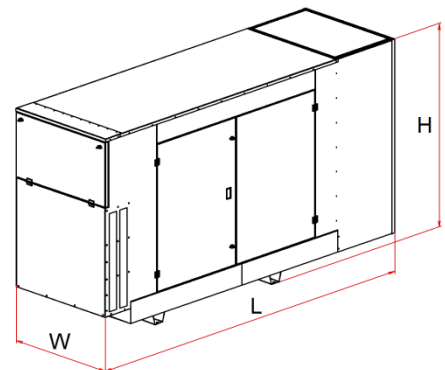
Canopy - type 95 LWA

Side and back doors with lockers	
Side and/or back air inlet with jalousies	
Top air outlet	
Position of exhaust silencer	on the canopy
Canopy colour: top RAL 3000 / bottom RAL 9005	
Length (L)	4925 mm
Width (W)	2250 mm
Height (H)	2528 mm
Height with industr. silencer (HI)	3028 mm
Height with resid. silencer (HR)	3328 mm
Weight without control panel and exhaust silencer	6050 kg



Canopy - type 90 LWA

Side and back doors with lockers	
Side and/or back air inlet with jalousies	
Top / side air outlet	
Canopy colour: top RAL 3000 / bottom RAL 9005	
Retention bath	
Exhaust silencer inside of canopy	
Length (L)	6910 mm
Width (W)	1640 mm
Height (H)	2550 mm
Weight without control panel and exhaust silencer	5560 kg



- TBD - To be defined later
- All pictures are for informational purposes only
- We reserve the right to change the specification without notice

